

ELICA

电线电缆连接器专业制造商

Always Pursue
Fine Quality



Perfect Every

Cable Gland With Innovation

将电缆接头做到创新 / 精进



CE



ROHS

SGS



IP68

IATF16949

ELICA

15 YEARS

企业使命 将防水行业做到精进创新!

• 2006

乐清市鸿祥连接器制造有限公司成立，主要生产防水黄铜电缆密封套

Yueqing Hongxiang Connector Manufacturing Co.,Ltd. mainly produces waterproof brass cable gland

• 2008

工厂搬迁新厂，车间面积达到 2000 平方

Factory relocated, new workshop area reached 2000m²

• 2009

公司引进数控设备和自动计量机，它正在引导公司进行自动化生产技术

Company introduced numerical control equipment and automatic counting machine, which are guiding the company to automated production technology

• 2010

公司开发了电缆封套新设计，并申请专利，专利号 z1201020530888.7

The company has developed a new design of cable seal, and applied for patent, patent number z1201020530888.7.



2011

本公司荣幸成为辽宁省“航空母舰”专用防水接头供应商，产品高质量被认可走向世界

Our company was honored to be the supplier of special waterproof cable gland for the Aircraft Carrier "Liaoning", and our high quality of products have been recognized and export to the global

2013

公司专注与研发并推出多种新产品，从事不锈钢 尼龙 黄铜等各种材料。生产转换更多元化解决不同的供应需求

Company focused on research and develop various of new products, stainless steel, nylon, brass and other materials. Diversified production meet different requirements

2016

公司员工扩至 80 人，业务核心走向国际

The staff of company expanded to 50-100, and core business focus turned to foreign trade gradually

2018

公司二次搬迁，商标升级，获得各个知名认证，整体形象更加鲜明国际化

Company relocated again, new brand, appearance is more bright and international



产品定制

精密刀具设计制作能力
为客户定制精密金属产品

Be capable of design and production of precision cutting tools.
Metal products could be Customized with High-Precision.



管理体系



客户第一，客户是衣食父母 及时为客户解决问题
追求品质，只有不完美的产品，没有挑剔的客户
乐观积极，碰到困难和挫折的时候永不放弃，不断自我激励

Customer first, the customer is the food and clothing parents to solve the problem in time.
The pursuit of quality, only imperfect products, no critical customers.
Be optimistic and positive, never give up when encountering difficulties and setbacks, and constantly motivate yourself.



检查中心



先进的检测设备

鸿祥产品检验遵循德国 DIN、VDE 标准和美国 UL 标准
产品符合欧洲最新 EN 标准和 ATEX 标准

Advanced detection equipment

The cable gland test of Hoonsun follows the Germany standard of DIN, VDE and America standard of UL.
Meet European newest standard of EN and ATEX.



金属直通型电缆接头

Metal Cable Gland-Direct Type

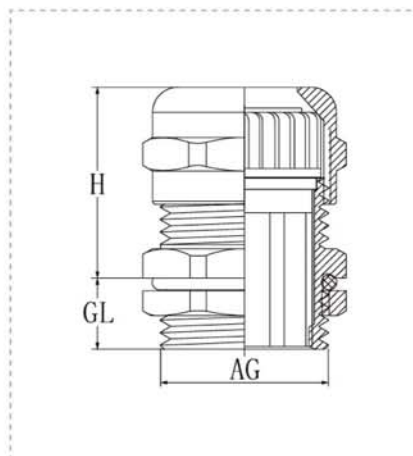


M / PG

CE ROHS IP68 REACH

材质: 镀镍黄铜
 夹紧件: 采用尼龙塑料 PA66, UL94-V2
 密封件: 丁腈橡胶、硅橡胶
 防水圈: 丁腈橡胶、硅橡胶
 防水等级: IP68-10 巴压力
 工作温度: 静态: -40℃到 100℃, 短时间达 120℃
 动态: -20℃到 80℃, 短时间达 100℃

Material: Nickel-plated brass
 Claw: PA66 (Nylon), UL94-V2
 Hermetic seal: NBR, Silicone rubber
 O-Ring: NBR, Silicone rubber
 Protection degree: IP68-10 bar
 Temperature: Static state: -40 °C to 100 °C, Short time to 120 °C; Dynamic state: -20 °C to 80 °C, Short time to 100 °C



规格参数 单位: mm

规格 Item	适用范围 Φ Range	螺纹长度 GL Thread Length	螺纹外径 AG Thread O.D.	接合长度 H Joint Length	扳手径 ψ Spanner size	产品编号 Code
M12×1.5	3-6.5	6.5	12	17	14	HX-NTM12
M16×1.5	4-8	8	16	19	18	HX-NTM16
M18×1.5	5-10	8	18	21	20	HX-NTM18
M20×1.5	6-12	8	20	22	22	HX-NTM20
M22×1.5	10-14	8	22	23	24	HX-NTM22
M25×1.5	10-14	9	25	25	24/27	HX-NTM25-14
M25×1.5	13-18	9	25	27	30/27	HX-NTM25-18
M27×1.5	13-18	9	27	27	30	HX-NTM27
M32×1.5	15-22	10	32	29	35	HX-NTM32
M36×1.5	18-25	10	36	31	40	HX-NTM36
M40×1.5	18-25	10	40	31	40/45	HX-NTM40-25
M40×1.5	22-30	10	40	35	45	HX-NTM40-30
M48×1.5	25-33	10	48	37	50/52	HX-NTM48
M50×1.5	32-38	10	50	37	57/55	HX-NTM50
M63×1.5	37-44	10	63	38	64/68	HX-NTM63
M72×2	42-52	10	72	44	78	HX-NTM72
M80×2	55-60	15	80	45	88	HX-NTM80
PG7	3-6.5	6.5	12	17	14/15	HX-NTPG7
PG9	4-8	8	16	19	17/18	HX-NTPG9
PG11	5-10	8	18	21	20/21	HX-NTPG11
PG13.5	6-12	8	20	22	22/23	HX-NTPG13.5
PG16	10-14	8	22	23	24/25	HX-NTPG16
PG21	13-18	9	27	27	30	HX-NTPG21
PG29	18-25	10	36	31	40	HX-NTPG29
PG36	25-33	10	48	37	50	HX-NTPG36
PG42	32-38	10	50	37	57	HX-NTPG42
PG48	37-44	10	63	38	64	HX-NTPG48

可选择 G/NPT 螺纹定制 Customizable G/NPT thread

伊麗莎電線水喉系列 Metal Cable Gland Series



单压缩式填料函

Single Compression Type Cable Gland

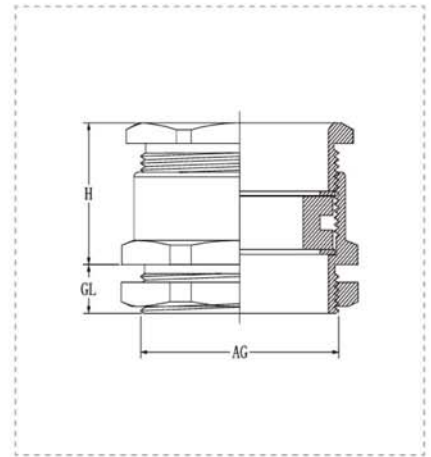


DCG

CE ROHS IP68 REACH

材质: 镀镍黄铜
 密封件: 丁腈橡胶、硅橡胶
 防水圈: 丁腈橡胶、硅橡胶
 垫圈: 镀镍铁环
 防水等级: IP54
 工作温度: 静态: -40℃到 100℃, 短时间达 120℃
 动态: -20℃到 80℃, 短时间达 100℃

Material: Nickel-plated brass
 Hermetic seal: NBR, Silicone rubber
 O-Ring: NBR, Silicone rubber
 Metal Washer: Nickel-plated hoop
 Protection degree: IP54
 Temperature: Static state: -40℃ to 100℃, Short time to 120℃; Dynamic state: -20℃ to 80℃, Short time to 100℃



规格参数 单位: mm

规格 Item	螺纹 Thread	适用范围 Φ Range	螺纹长度 GL Thread Length	螺纹外径 AG Thread O.D.	接合长度 H Joint Length	扳手径 ψ Spanner size	产品编号 Code
DCG7	PG7	5-6.5	5.0	12.5	16.5	14/15	HX-DCG7
DCG9	PG9	6-8	6.2	15.2	17.5	16/18	HX-DCG9
DCG11	PG11	8-11	6.5	18.6	17.5	20/21	HX-DCG11
DCG13.5	PG13.5	9-11.5	7.5	20.4	20.5	22/23	HX-DCG13.5
DCG16	PG16	11-14	8.0	22.5	22.2	24/26	HX-DCG16
DCG21	PG21	15-17.5	8.0	28.3	23.5	30/32	HX-DCG21
DCG29	PG29	20-23	8.0	37.0	25.5	40/41	HX-DCG29
DCG36	PG36	29-31	10.0	47.0	29.0	50/52	HX-DCG36
DCG42	PG42	32-38	11.0	54.0	33.0	57/57	HX-DCG42
DCG48	PG48	37-44	12.0	59.3	34.0	64/64	HX-DCG48



填料函系列 Marine Cable Gland Series