



WANAKA IP65 WEATHERPROOF Isolator Switches

A variety of different enclosures fitted with switch-disconnectors are available. All models are equipped as standard with three switched poles, an unswitched neutral and safety earth contact. A switched neutral and/or at least one normally open break/late make and one normally closed auxiliary contact can be added to order.

Technical Features :

- Rigid enclosures
- Ample space for wiring
- Padlocking facilities
- Excellent switching capacity
- Disconnecting property acc. to SS4280605 No.2 to 660V and EN 60947 to 750V
- Finger protection acc. to DIN 57106 / VDE 0106 T:100
- Open terminals and captive terminal screws
- Option for additional contacts



Certificate Approved By :

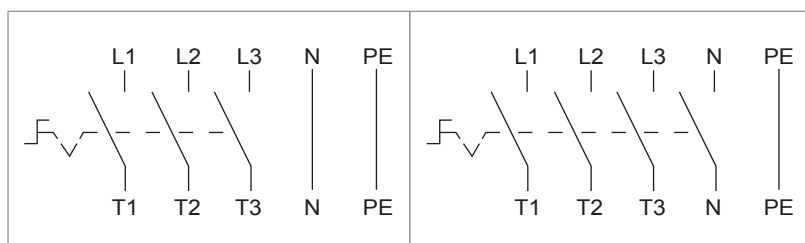


Isolator Switches Accessories :



Specification :

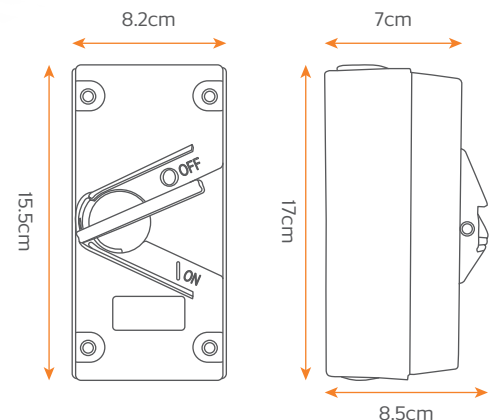
Model Number	Rated Current	BS Motor Rating AC3 380V/440V	IP Rating
WP 320	20A 3P	5.5kW	IP65
WP335	35A 3P	11.0kW	
WP363	63A 3P	22.0kW	



3 Pole + N + E

4 Pole + E

Dimension :



Model Number				WP 320	WP 335	WP 363
Rated operational voltage U						
IEC/EN/VDE/SEV		V		690	690	690
UL/CSA		V		600	600	600
main switch: Isol. voltage up to		V		750	750	690
Rated uninterrupted current I						
IEC/EN/VDE		A		20	35	63
Rated operational current I						
AC-21A	IEC/EN		A	20	35	63
AC-1	SEV		A	20	35	63
UL/CSA ampere rating		A		20	35	63
Rated operational power at 50 to 60Hz						
AC-23A	IEC/EN/VDE					
	3 phase	220-240V	kW	5,5	7,5	15
	3 pole	380-440V	kW	7,5	15	30
		500-690V	kW	7,5	11	30
AC-3	IEC/EN/VDE					
	3 phase	220-240V	kW	4	5,5	11
	3 pole	380-440V	kW	5,5	11	22
		500-690V	kW	5,5	11	22
DOL-rating	UL/CSA					
	3 phase	120V	HP	2	4	6
	3 pole	240V	HP	5	9	15
		480V	HP	10	18	30
		600V	HP	15	24	40
Rated breaking capacity						
AC-23A/AC-3 motor switch	220-240V		A	300	420	500
	380-440V		A	300	420	500
	500-690V		A	190	250	270
Max. fuse size(gL)			A	35	63/50	63/50
Rated fused short-circuit current			kA	15	15/25	15/25
Terminal cross section						
Single/multiple wire	min. mm ²			1,0	4	4
	max. mm ²			10	16	16
Fine-strand wire with sleeve	min. mm ²			0,75	2,5	2,5
	max. mm ²			6	10	10
American wire gauge	AWG			8	8	6

Auxiliary Module

Rated operational voltage U		V	500
Rated uninterrupted current I		A	16
Rated operational current I			
AC-15	IEC/EN	220-240V	A
		380-440V	
UL/CSA ampere rating		A	10 Heavy Duty 600V AC
Terminal cross section			
Single/multiple wire	min. mm ²		1
Fine-strand wire with sleeve	max. mm ²		1,5
American wire gauge	AWG		16



No Lesen : PC004391
Licence No :

LESEN PENSIJILAN BARANGAN

Product Certification Licence



SIRIM QAS International Sdn. Bhd. dengan ini menganugerahkan kepada
SIRIM QAS International Sdn. Bhd. hereby grants to

E & E ENTERPRISE SDN. BHD.
NO 38 JALAN PUTERI 5/16,
BANDAR PUTERI
47100 PUCHONG
SELANGOR, MALAYSIA

Lesen untuk menggunakan Tanda Pensijilan di atas barangan
a licence to use the Certification Mark on
SWITCH-DISCONNECTORS

Please refer to detail in the SCHEDULE

sebagai mematuhi keperluan
as complying with
IEC 60947-1 : 2007
IEC 60947-3 : 2008

Mohd Azanuddin bin Salleh
Ketua Pegawai Eksekutif
Chief Executive Officer
SIRIM QAS International Sdn. Bhd.

SIRIM QAS International Sdn. Bhd.
(No. Syarikat 410334-X)
1, Persiaran Dato' Menteri
Seksyen 2, Peti Surat 7035
40700 Shah Alam
Selangor Darul Ehsan
MALAYSIA.

Tel : 60-3-55446400
Faks : 60-3-55446466

<http://www.sirim.my>
<http://www.malaysiancertified.com.my>

Tarikh Mula Pensijilan : 17 May 2019

Certified Since

Sah Sehingga : 17 May 2020

Valid Until

Tarikh Dikeluarkan : 24 May 2019

Issue Date

No Siri : 046562

Serial No

Lesen ini dianugerahkan tertakluk kepada syarat-syarat Perjanjian Pensijilan Barangan SIRIM QAS International Sdn. Bhd.
This Licence is granted subject to the provisions of the Product Certification Agreement of SIRIM QAS International Sdn. Bhd.

SCHEDULE

E & E ENTERPRISE SDN. BHD.



SIRIM

Trade Mark : RANK
Model : WP 320, 20A, 3P
Rating : 415V~, 20A

Trade Mark : RANK
Model : WP 335, 35A, 3P
Rating : 415V~, 35A

Trade Mark : RANK
Model : WP 363, 63A, 3P
Rating : 415V~, 63A

Factory Name and Location :
YUEQING DIBAI TRADING CO., LTD.
LIUHUANG ROAD, PAIYANTOU INDUSTRIAL ZONE
LIUSHI TOWN, YUEQING
ZHEJIANG, CHINA

End of page