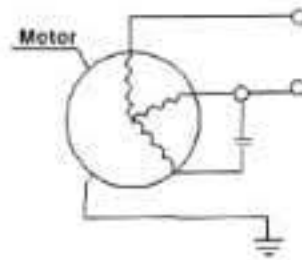
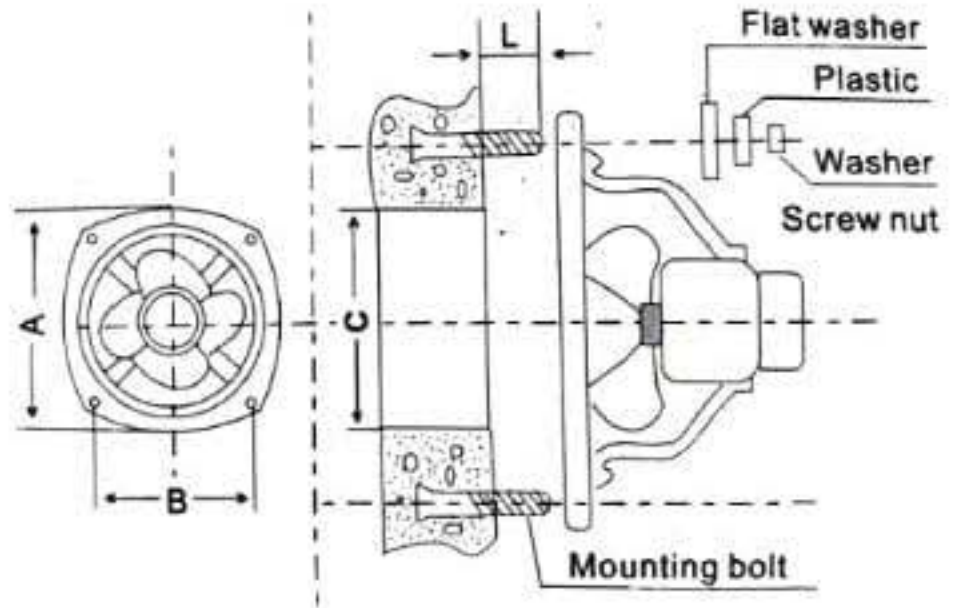


Atech Heavy Duty Industrial Exhaust Fan

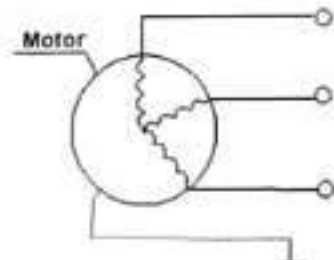
Specification



Size	Voltage (V)	Frequency (Hz)	Air Delivery (feet ³ /min) [CFM]	Speed (r/min)	Power (Watt) (+/- 10%)
12"/300mm	220/240	50	1130	1400	130
16"/400mm	220/240	50	2401	1400	220
18"/450mm	220/240	50	3531	1400	380
24"/600mm	220/240	50	4061	960	380
24"/600mm	380/420	50	4061	960	380



Wiring diagram (220/240V)



Wiring diagram (380/415V)

Dimension

Size	A (mm)	B (mm)	Hole (No. x Diameter)
12"/300mm	386 x 386	308 x 308	4 x Φ 9
16"/400mm	480 x 480	380 x 380	4 x Φ 9
18"/450mm	556 x 556	432 x 432	4 x Φ 11
24"/600mm	720 x 720	570 x 570	4 x Φ 13



Installation

Size	Holes (mm)	Bolt	L (mm)
12"/300mm	Φ 326	4 - M8	\geq 25
16"/400mm	Φ 416	4 - M8	\geq 25
18"/450mm	Φ 476	4 - M10	\geq 30
24"/600mm	Φ 620	4 - M12	\geq 30