

**U-LI™** Metal Framing System

## introduction

■ Company Background	2
Materials	2
Finishes	3
■ Design Fundamentals	4

## channels & combinations

■ Channel Selection Chart	7
UL1000 Series	8
UL2000 Series	12
UL3300 Series	15
UL4000 Series	18
UL1000T & UL3300T Pierced Channels	21
Closure Strips	24
Typical Channel Accessories	25
Stainless Steel Channels	26

## general fittings

■ Design Load Data	29
Flat Plate Fittings	30
Angular Fittings	31
"U" Shape Fittings	33
"Z" Shape Fittings	34
■ Beam Clamps	35

## cantilever brackets

■ Cantilever Brackets	39
-----------------------	----

## fasteners

■ Spring Nuts	45
■ General Fasteners	46

## clamps & trolley assemblies

■ UL2400 & UL2239 Series Pipe Clamps	51
UL2246 & SS Series Pipe Clamps	52
K & U Pipe / Cable Clamps	53
Two Piece Pipe / Cable Clamps	54
ULTC01 and ULTC02 Trefoil Clamps	55
UL75 Series Pipe Clamps	56
■ Trolley Assemblies	56



fasteners

# Table of Contents

Spring Nuts .....	45
General Fasteners.....	46

## Material

UliStrut ® spring nuts are manufactured from mild steel bars. The end product is a nut with two grooves, each possessing sharp teeth. The sharp teeth provide grip by biting into the return lips of the UliStrut ® channel giving it greater resistance to slip and pull-out. UliStrut ® spring nuts conform to BS6946:1988.

Hex Set screws are available in Grade 8.8 or Grade 4.6. Threaded rods are available in Grade 4.6. Hex nuts are available in Grade 8 or Grade 4.

U-LI Ulinut ® is a high quality spring nut manufactured from stainless steel Grade 316. Fasteners manufactured from other materials can also

be supplied upon request.

## Finishes

The standard finish for this product is Zinc Electroplated - Industrial - clear passivated - bright to BS7371 Part 1:1991 for threaded products and BS1706:1960 for UliStrut ® spring nuts.

## Dimensions

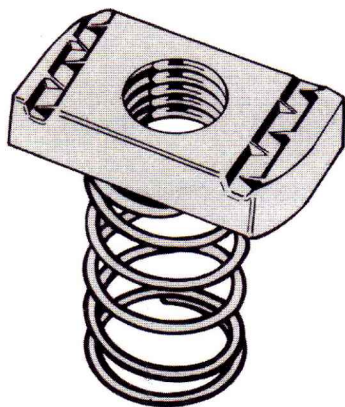
All dimensions used in this section are in millimeters (mm) unless otherwise stated.

## Performance

For maximum allowable pull-out and slip loads, refer to page 45.

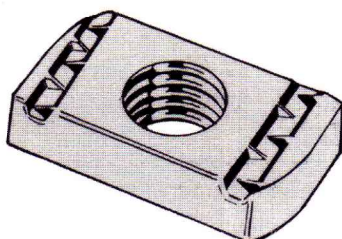
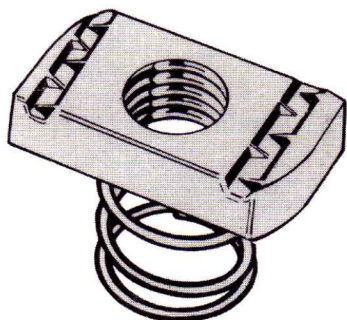
# Spring Nuts

## Long Spring Nut



Thread Size	Weight g
M6	26.6
M8	30.5
M10	38.2
M12	44.6

## Short Spring Nut



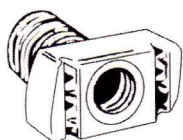
Thread Size	Weight g
M6	25.6
M8	29.5
M10	37.2
M12	35.1

## Maximum allowable pull-out and slip loads

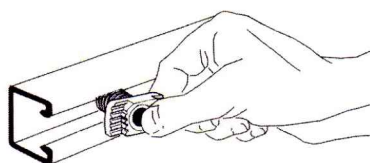
Spring Nut with or without spring	Hardened spring nut and grade 8.8 electrogalvanized bolts			Unhardened spring nut and grade 4.6 electrogalvanized bolts		
	Pull out strength	Resistance to slip	Torque	Pull out strength	Resistance to slip	Torque
Size	kg	kg	Nm	kg	kg	Nm
M6 short & long	470	95	7.5	400	50	5
M8 short & long	750	260	28	700	80	11
M10 short & long	1000	390	55	900	110	22
M12 short	1000	390	70	900	110	22
M12 long	1100	640	95	1000	260	38

Note: Spring nuts without springs are also available.

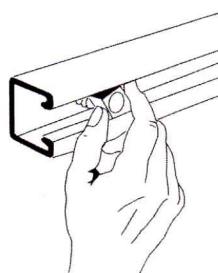
## Ulinut ® & Spring Nut Installation



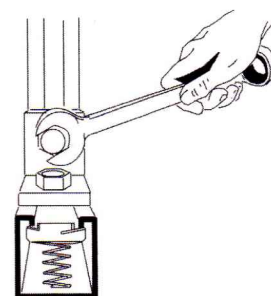
Spring Nut



Insert



Twist



Secure

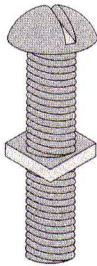
# General Fasteners

## UL2663S



Length	M6	M8	M10	M12
	Weight	Weight	Weight	Weight
mm	g	g	g	g
20	5.9	12.2	22.7	32.0
25	6.7	13.8	25.4	36.2
30	7.6	15.4	27.9	39.2
35	8.4	17.1	30.5	43.1
40	9.2	18.7	32.9	47.0
45	10.2	20.3	35.5	50.5
50	10.9	21.4	37.7	54.3
55	11.8	23.6	40.0	60.0
60	12.7	25.1	42.6	61.3
70	14.4	28.4	47.6	68.5

## UL2542S



Length	M6
	Weight
mm	g
12	5.5
20	7.0
25	7.6

## UL2542 Double



Length	M10	M12
	Weight	Weight
mm	g	kg
45	28.3	46.0

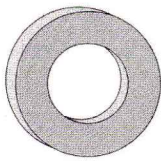
# General Fasteners

## Threaded Rod



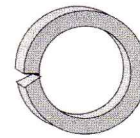
Length	M6	M8	M10	M12
	Weight	Weight	Weight	Weight
mm	g	g	g	g
2000	460	920	1450	2124

## Flat Washer



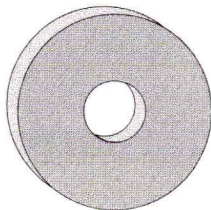
M6	M8	M10	M12
Weight	Weight	Weight	Weight
g	g	g	g
0.7	1.4	2.5	4.0

## Spring Washer



M6	M8	M10	M12
Weight	Weight	Weight	Weight
g	g	g	g
0.5	1.0	1.7	2.5

## Fender Washer



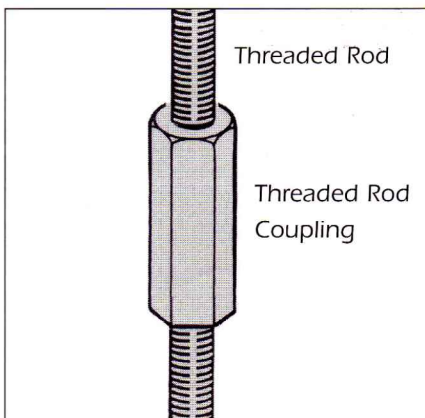
M6	M8	M10	M12
Weight	Weight	Weight	Weight
g	g	g	g
7.2	10.3	14.2	15.7

## Hex Nut



M6	M8	M10	M12
Weight	Weight	Weight	Weight
g	g	g	g
3.1	4.5	12.0	15.0

## Coupling Nut



M6 X 25mm	M8 X 25mm	M10 X 30mm	M12 X 30mm
Weight	Weight	Weight	Weight
g	g	g	g
11.4	18.7	41.6	47.6

# Electrical Support

The UliStrut electrical support system provides a functional and attractive solution where hanging, support and mounting is required. The ability to obtain bracket, channel, clamp, cable tray and ladder systems from one source provides the customer with a one-stop solution centre.

