

A Brief Introduction of Our Company:

Radiform is incorporated in the mid-nineties with the collaboration of a Singapore investment company and an established manufacturer of cable accessories products in Germany as the technical partner. The company specializes in the development, manufacturing and supplies of cable accessories products ranging from cast resin, heat-shrink cable jointing system and metal cable accessories products such as: industrial and marine cable glands, low and high voltage cable lugs and splices for the power distribution, electrical engineering, corrosion protection, telecommunication and electrical wire-harnessing industries.

The company is committed in producing high quality products meeting many international quality and performance standards in the electrical and electronic industries; such as UL, CSA, BS EN, IEC, DIN VDE, KEMA and Mil-Spec.

Ensuring the constant supply of high-quality products to our customers, our product quality control system starts at the raw material and ends when the products are in full operation satisfying the requirements of its application. Every product is marked with a batch number, which is used by our quality control division in tracking and monitoring the performance of each product produced or supplied by us. In the event when a product may have behaved unexpectedly, our quality control division will be able to trace and track any abnormalities that may occurred during the production process for that product or batch of products from raw material to the final phase of production.

In recent years we have also established a robust and effective quality control system for outsourcing supplies of products that are not produced in-house. With the combination of our technical knowledge in cable accessories design and construction, coupled with a strong business relationship with high quality OEM manufacturers worldwide, we are able to provide products with excellent quality at very competitive prices to our customers. Today, we have production facilities in Europe, UK, China and India providing a wide range and varieties of high quality electrical engineering products at competitive prices.

Our business philosophy stem from the strong believes that fault free products are essential contribution to customer satisfaction. Product quality not only means 100 percent compliance with required specifications and standards, but also includes the whole organization involved in designing, developing, producing, marketing and delivering the products to our customers.

Our product range covers almost any applications in the field of electrical engineering. The main features of our products are; their reliable and easy installation combined with low maintenance requirements. These advantages resulted in considerable reduction of overall application costs and equipment or system downtime.

We have developed cable accessories for power distribution and electrical engineering from 3 technological bases; 1) cold-pur resin, 2) heat-shrink and 3) pre-molded silicon rubber slip-on. Each technique has its own merits and suitability in application requirements.

For example: 1) Direct burial underground cables in wet and high moisture environment where high mechanical protection is needed, cold-pur cast resin joints are ideal in this application. 2) Pole top overhead laid cables where light weight and moisture proofing is required, heat shrink joints are high suited for this environment. 3) Termination of cables in hazardous environment where open flame is prohibited, our per-molded silicon rubber slip-on termination system is ideal for the job.

We have every confidence in giving you the best application solution to your electrical engineering requirements at all times, every time.

Content:	Page
A Brief Introduction to Our Company	Intro
A Preview of Our Products	2
RADI- A2 Glands For Un-armored Cables with IP66 Rating	4
RADI- XT Glands for Flexible Wire Braid Cables with IP66 Rating	5
RADI- BWR Glands for SWA Armored Cables with IP54 Rating	6
RADI- CWR Glands for SWA Armored Cables with IP66 Rating	7
RADI- E1W/E1FW Glands for SWA Armored Cables with IP66 Rating	8
RADI- RBPG Glands for Un-armored Cables with IP54 Rating	9
RADI- DNG Glands for Un-armored Cables with IP68 Rating	10
RADI- JSMG Glands for Un-armored Cables with IP55 Rating	11
RADI- PGN Polyamide Glands for Un-armored Cables with IP68 Rating	12
RADI- Polyamide Cable Glands with Strain Relief	13
RADI- Screw Plugs (Polyamide and Brass)	14
Glands Selection Reference Table for SWA Armored Cables	15
Accessories For Glands	16
General Warranties Statement	

Note:

The management of Radiform Cable Accessories reserves the rights to make changes and alterations to the dimensions, material and design of the products without prior notice.

Radiform has developed and designed a complete range of general purposes cable glands for Industrial, commercial and marine applications. The glands are manufactured in compliance with BS6121 PT1: 1989 and meets or surpass the performance requirements of BS EN 50262:1998 + A1: 2001+ A2: 2004. The sealing capabilities of the glands are designed to conform to the various IP ratings: such as IP55 for BWR, IP66 for CWR glands, etc. We are able to design glands to suit any special or no-standard cables.

Radiform metal cable glands are manufactured from high-grade brass, aluminum and stainless steel. Glands are available in their natural color without any surface coating as standard items. Special surface coatings are available in nickel, tin and cadmium for specific requirements. We have also developed polyamide cable glands suitable for applications with plastic enclosures and junction boxes.

Product Range:

RADI-A2 single compression cable glands are specially designed for all types of non-armor cables, requiring IP66 water seal rating. The gland provides excellent mechanical cable retention and environmental sealing with an IP66 seal on the outer jacket of the cable making it suitable for both indoor and outdoor applications. Type-tested to BS EN 50262:1998+A1:2001+A2: 2004. Marine application approved product by ABS.



RADI-RXT industrial cable gland provides the same functional properties as the RADI-A2 cable gland except it is specially designed to-be-used with braided armored cables. Clamping the wire braid onto the gland provides excellent electrical continuity. The gland provides good mechanical cable retention with an IP66 environmental sealing. Type-tested to BS EN 50262:1998+A1:2001+A2: 2004. Marine application approved product by ABS.



RADI-BWR is a three-part gland developed for securing single wire armored (SWA) cables in indoor and dry environment. The positive armor locking increases the mechanical strength and effective earth continuity. The gland has an IP54 environmental seal rating. Type-tested to BS EN 50262:1998+A1:2001+A2: 2004. Marine application approved product by ABS.



RADI-CWR/(CW) single compression industrial glands provide an IP66 rating environmental sealing on the outer jacket of a single wire armored (SWA) cable, making it suitable for applications in out-door and/or out-door wet environment. This weatherproof gland offers positive armor locking, effective earth continuity and tight liquid and/or moisture sealing. Type-tested to BS EN 50262:1998+A1:2001+A2: 2004. Marine application approved product by ABS.



RADI-E1W/E1WF double compression industrial glands are excellent weatherproof glands designed to-be-used in highly robust environment. These glands offer an IP66 rating seal for both inner and outer jackets of the cable. They also provide excellent armor locking and effective earth continuity. **RADI E1WF** glands are flameproof glands designed for used in flammable environment. Type-tested to BS EN 50262:1998+A1:2001+A2: 2004. Marine application approved product by ABS.



RADI-PBPG single compression cable glands are manufactured from high quality yellow brass with nickel plating. The onion-ring seal are made of either neo-print or nitrile rubber providing an IP54 rating seal on the outer cable jacket. This gland is suitable for use with all types of non-armored cables in dry indoor environment.



RADI-DNG single compression cable glands are designed for use with unarmored, elastomeric and plastic cables, specifically designed for use in highly corrosive and wet locations. Seal rating on cable outer sheath/jacket achieves IP68 environmental seal rating. Glands come with PG and/or metric entry threads



RADI-JSMG single compression cable glands for indoor and outdoor use with all types of un-armored cables, providing an environmental seal for the cable outer sheath with IP55 seal rating. The thick nickel-plating on the surface of the glands provided excellent protection from environmental corrosion and seawater abuse.



RADI-PGN/PGM single compression polyamide cable glands for indoor and outdoor applications with IP68 environmental seal rating on the cable outer sheath. The glands are designed with an anti-vibration locking system. Glands come with PG and/or metric entry threads.



Cable Glands Selection Guide:

1. Specify the type and size of the cable to be used
2. The condition and environment of the application (Indoor/outdoor, wet/dry, Hazardous/non hazardous area, level of corrosiveness, etc.)
3. Check the gland's entry thread in the equipment. (If the thread has not been tapped then lock nut is to be used to secure the gland)
4. Check the cable type and cable size (Overall external diameter and internal diameter of the cable, the size and type of armor or braiding.)
5. Check the entry seal requirements and ingress protection rating for cable entry
6. Check the accessories required for the installation. (PVC/flame-retarded shrouds or heat shrink sealing sleeves, earth tags locknuts, etc.)

RADI - A2 Glands for Un-armored Cables with IP66 Rating

Radi-Gland A2 unarmored brass glands are designed for general-purpose application with all types of unarmored cables. It can also be used in corrosive environment when protected with heat shrink sleeves or PVC shrouds. The glands have neoprene seal that clamps onto the sheath of the cable providing excellent waterproofing to IP66. Gland entry rated at IP66 when used with SES entry thread seal. Metric thread available as standard product, other threads forms, such as BSP, NPT PG and BS conduit are available upon request. The glands are type tested and certified to BS EN 50262:1998+A1:2001+ A2:2004 and conform to BS 6121:Part1:1989. Glands are ABS certified for marine applications.



Technical Data:

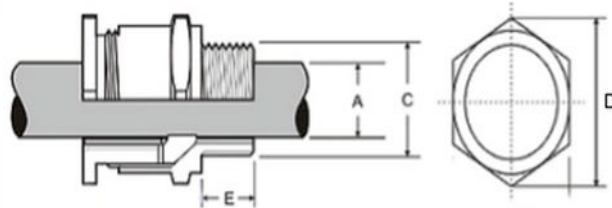
Material

Body: -Brass / nickel-plated
Seal: -Neoprene rubber



Conformant standard

BS EN 50262:1999,
 BS 6121: Part 1: 1989
 IP 66 Rating



Selection Chart:

Part Number	Gland Size	Available Entry Thread "C"		Thread Length "E" (mm)	Overall Cable Dia "A" (mm)		Across Corners "D" (mm) Max
		Metric	NPT		Min	Max	
RADI-A2-20S/16	20S/16	M20	1/2"	15	5.0	9.0	23.0
RADI-A2-20S	20S	M20	1/2"	15	6.1	11.6	27.5
RADI-A2-20L	20L	M20	1/2"	15	8.0	14.0	31.0
RADI-A2-25S	25S	M25	3/4"	15	14.0	17.0	33.5
RADI-A2-25L	25L	M25	3/4"	15	14.0	20.2	39.0
RADI-A2-32S	32S	M32	1"	15	19.0	24.0	46.0
RADI-A2-32L	32L	M32	1"	15	20.0	26.2	46.0
RADI-A2-40S	40S	M40	1 1/4"	15	26.0	30.0	55.0
RADI-A2-40L	40L	M40	1 1/4"	15	26.0	32.2	55.0
RADI-A2-50S	50S	M50	1 1/2"	15	29.5	38.1	61.0
RADI-A2-50L	50L	M50	1 1/2"	15	35.6	44.0	67.0
RADI-A2-63S	63S	M63	2"	15	40.1	49.9	78.0
RADI-A2-63L	63L	M63	2"	15	47.2	55.9	83.0
RADI-A2-75S	75S	M75	2 1/2"	25	52.8	62.0	91.0
RADI-A2-75L	75L	M75	2 1/2"	25	59.0	68.0	95.0
RADI-A2-90	90	M90	3"	25	67.0	79.5	114.0
RADI-A2-100	100	M100	3 1/2"	25	78.0	90.0	130.0
RADI-A2-110	110	M110	4"	25	88.0	100.0	142.0

RADI - XT Glands for Flexible Wire Braid Cables with IP66 Rating

Radi-RXT Industrial Glands are designed for application with all types of flexible wire braid cables. They are ideal for use in applications where it is essential to provide an IP66 seal on the outer cable jacket and clamping of the wire braid for electrical continuity. The outer PCP displacement seal concept ensures effective sealing of the outer cable jacket, which makes it suitable for most hostile environments. It is easy and fast to install.

Metric thread is the standard entry thread for standard product range. Other entry threads such as BS conduit, NPT, PG are available upon request.

This gland reference is not specified in BS 6121 Part 1, however it complies in all other aspects with the design, function and test requirements of type A2 cable glands.

Complete Kit: Consisting of XT gland, shroud/Heat-shrink closure sleeve, lock nut and earth tag, selection chart.

Technical Information:

Material:

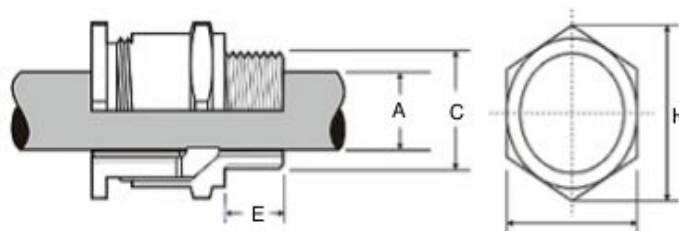
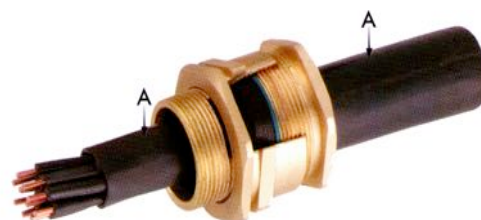
Body: Yellow Brass/ Nickel Plated

Seal: Neoprene / nitrate rubber

Spec. Conformance:

Complies to BS EN 50262: 1998

+A1:2001+A2:2004, BS 6121: Part 1: 1989, IP66 Rating.



Selection Chart:

Part Number	Gland Size	Available Entry Thread "C"		Overall Cable Dia. (mm)		Thread Length "E" (mm)	Across Corners "H" (mm)
		Metric	NPT	"A" (Min)	"A" (Max)		
RADI-RXT 16	20S/16	M20	1/2"	5.00	9.00	15	23.0
RADI-RXT 20S	20S	M20	1/2"	6.10	11.6	15	27.5
RADI-RXT 20	20L	M20	1/2"	8.00	14.0	15	31.0
RADI-RXT25S	25S	M25	3/4"	13.5	17.0	15	33.5
RADI-RXT 25	25L	M25	3/4"	13.5	20.0	15	39.0
RADI-RXT32S	32L	M32	1"	19.0	24.0	15	46.0
RADI-RXT40S	40S	M40	1 1/4"	25.0	30.0	15	55.0
RADI-RXT40	40L	M40	1 1/4"	25.0	32.0	15	55.0
RADI-RXT50S	50S	M50	1 1/2"	29.5	38.1	15	61.0
RADI-RXT50	50L	M50	1 1/2"	35.6	44.0	15	67.0
RADI-RXT63S	63S	M63	2"	40.1	49.9	15	78.0
RADI-RXT63	63L	M63	2"	47.2	55.9	15	83
RADI-RXT75S	75S	M75	2 1/2"	59.1	67.9	15	91.0
RADI-RXT88/90	75L	M88/90	2 1/2"	67.0	79.5	25	114.0
RADI-RXT100	90S	M100.0	3"	78.0	90.0	25	130.0
RADI-RXT110	90L	M110.0	3"	88.0	100.0	25	142.0

Radi-Gland BWR armored brass glands are designed for general-purpose application with steel wire armored PVC, XLPE and rubber insulated cables. The positive armor-locking ring increases mechanical strength and provides effective earth continuity. The glands are excellent for applications in indoor and dry environment. The standard entry threads are of metric other threads forms such as PG, NPT, BSP and BS Conduit is available upon request. Complete kits are available consisting of BWR glands, lock- nut, earth tag and shroud. The product is type tested and certified to BS EN 50262:1998+A1: 2001+A2: 2004 and conform to BS 6121 Part -1 1989. The glands are certified by ABS for marine applications.



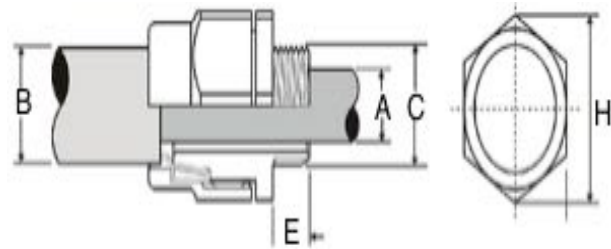
Technical Data:

Material

Body: Brass / nickel-plated

Conformant standard

BS EN 50262: 1998 +A1:
2001 + A2: 2004,
BS 6121: Part 1: 1989
IP54 Rating



Selection Table

Part Number	Gland Size	Available Entry Thread "C"		Thread Length "E" (mm)	Overall Cable Dia "B" (mm)		Armor Wire O.D (mm)	Cable Overall Dia. "A" (mm) Max	Across Corners "H"(mm) Max
		Metric	NPT		Min	Max			
RADI-BWR-20S/16	20S/16	M20	1/2"	10	8.6	13.4	0.9	8.6	24.4
RADI-BWR-20S	20S	M20	1/2"	10	11.6	15.9	0.9 - 1.25	11.6	27.5
RADI-BWR-20L	20L	M20	1/2"	10	13.9	20.8	0.9 - 1.25	13.9	31.6
RADI-BWR-25S	25S	M25	3/4"	10	17.1	23.5	1.25- 1.60	17.1	36.0
RADI-BWR-25L	25L	M25	3/4"	10	19,9	27.5	1.25- 1.60	19,9	39.0
RADI-BWR-32L	32L	M32	1"	10	26.0	33.5	1.60- 2.00	26.0	47.0
RADI-BWR-40S	40S	M40	1 1/4"	15	30.0	38.2	1.60- 2.00	30.0	55.0
RADI-BWR-40L	40L	M40	1 1/4"	15	32.2	40.0	1.60- 2.00	32.2	57.0
RADI-BWR-50S	50S	M50	1 1/2"	15	38.1	46.5	2.00- 2.50	38.1	67.0
RADI-BWR-50L	50L	M50	1 1/2"	15	44.0	53.0	2.00- 2.50	44.0	69.0
RADI-BWR-63S	63S	M63	2"	15	50.0	61.5	2.00- 2.50	50.0	79.0
RADI-BWR-63L	63L	M63	2"	15	55.8	67.0	2.00- 2.50	55.8	85.0
RADI-BWR-75S	75S	M75	2 1/2"	15	62.0	72.0	2.50- 3.20	62.0	95.0
RADI-BWR-75L	75L	M75	2 1/2"	15	68.0	78.0	2.50- 3.20	68.0	101.0
RADI-BWR-90	90	M90	3"	25	80.0	91.0	2.50- 3.20	80.0	120.0
RADI-BWR-100	100	M100	3 1/2"	25	90.0	90.0	3.20	90.0	136.0
RADI-BWR-110	110	M110	4"	25	99.0	99.0	3.20	99.0	145.0

RADI - CWR Glands for SWA Armored Cables with IP66 Rating

Radi-Gland CWR armored brass glands are designed for general-purpose application with steel wire armored PVC, XLPE and rubber sheathed cables for indoor and outdoor applications. CWR are weatherproof glands and can be used in corrosive environment when protected with shroud or heat-shrink tubing with adhesive lining. The glands are type tested and certified to BS EN 50262: 1998+A1:2001+A2:2004 and conform to BS 6121: Part 1: 1989 The products have a IP66 rating.



Intertek

Technical Data:

Material

Body: Brass / nickel-plated

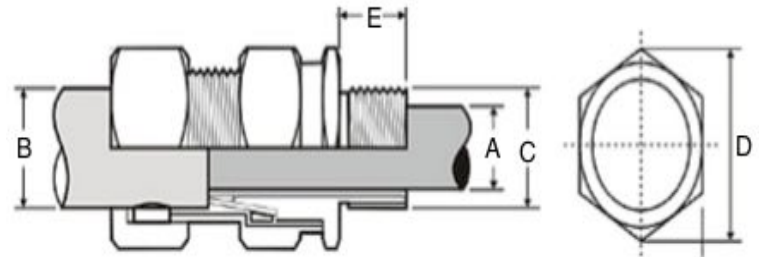
Seal: neoprene / nitrate rubber

Conformant standard

BS EN 50262:1998+A1: 2001

+A2: 2004, BS 6121: Part1:

1989, IP66 Rating



Selection Table

Part Number	Gland Size	Available Entry Thread "C"		Thread Length "E" (mm)	Overall Cable Dia. (mm) "A" (max)	Overall Cable Dia. (mm) "B"		Armor Wire O.D. (mm)	Across Corners "D" (mm) Max
		Metric	NPT			"B" (min)	"B" (max)		
RADI-CWR-16	20S/16	M20	1/2"	10	8.6	8.0	13.4	0.9	24.4
RADI-CWR-20S	20S	M20	1/2"	10	11.6	11.4	16.3	0.9 - 1.25	27.5
RADI-CWR-20L	20L	M20	1/2"	10	13.9	15.0	20.9	0.9 - 1.25	31.6
RADI-CWR-25S	25S	M25	3/4"	10	17.1	19.0	23.8	1.25 - 1.60	36.0
RADI-CWR-25L	25L	M25	3/4"	10	20.0	20.3	27.0	1.25 - 1.60	39.0
RADI-CWR-32L	32L	M32	1"	10	26.0	26.0	33.0	1.60 - 2.00	47.0
RADI-CWR-40S	40S	M40	1 1/4"	15	30.0	30.0	38.2	1.60 - 2.00	55.0
RADI-CWR-40L	40L	M40	1 1/4"	15	32.0	31.0	40.4	1.60 - 2.00	57.0
RADI-CWR-50S	50S	M50	1 1/2"	15	38.0	36.5	46.7	2.00 - 2.50	67.0
RADI-CWR-50L	50L	M50	1 1/2"	15	44.0	43.0	53.0	2.00 - 2.50	69.0
RADI-CWR-63S	63S	M63	2"	15	50.0	49.0	60.0	2.00 - 2.50	79.0
RADI-CWR-63L	63L	M63	2"	15	56.0	58.0	66.0	2.00 - 2.50	85.0
RADI-CWR-75S	75S	M75	2 1/2"	15	62.0	60.6	72.0	2.50 - 3.20	95.0
RADI-CWR-75L	75L	M75	2 1/2"	15	68.0	65.0	78.0	2.50 - 3.20	101.0
RADI-CWR-90S	90S	M90	3"	25	74.5	75.0	85.0	2.50 - 3.20	120.0
RADI-CWR-90L	90L	M90	3"	25	80.0	76.0	91.5	3.20	114.0
RADI-CWR-100	100	M100	3 1/2"	25	90.0	91.0	103.5	3.20	136.0
RADI-CWR-110	110	M110	4"	25	97.0	101.0	110.0	3.20	145.0

RADI-E1W cable glands are developed for application that required IP66 sealing on the cable outer jacket and inner sheath in an indoor and/or outdoor environment. RADI-E1WF cable glands are of similar design and applications with RADI-E1W with an additional flameproof property.

These cable glands are weatherproof glands and can be used in corrosive conditions (E1W) and flammable environment (E1WF) when protected with heat shrink sleeves and /or shrouds (made of normal/flame retardant materials). Positive armor locking coupled with effective earth continuity increases the mechanical strength and safety of the installation.

The products come with metric entry threads. Other threads forms such as NPT, BSP, PG and BS Conduit are available upon request. Standard E1W and E1WF glands are designed for SWA armored cables. Glands with design suitable for cables with braided armoring, double steel tape armor and flat armoring are available on request.

Technical Data:

Material:

Body: Brass / Nickel-plated

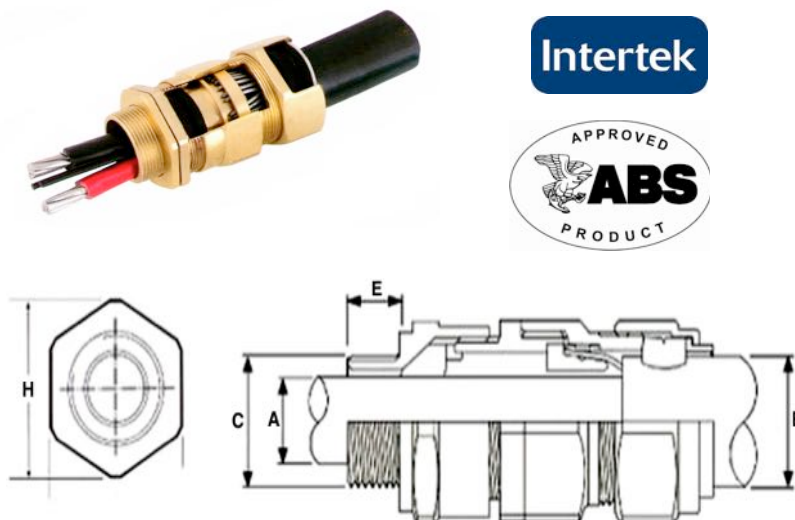
Seal: neoprene / nitrile rubber

Conformant standard

BS EN 50262:1998+A1: 2001

+A2: 2004, BS 6121: Part1:

1989, IP66 Rating



Selection Chart

Part Number	Gland Size	Available Entry Thread "C"			Thread Length "E"(mm)	Overall Cable Dia (mm)		Overall Cable Dia. (mm)		Armour Wire O.D (mm)	Across Corners "H" (mm) Max
		Metric	NPT	PG		"A" (min)	"A" (max)	"B" (min)	"B" (max)		
RADI-E1W-16	20S/16	M20	1/2"	PG 11	15	3.1	8.6	8.0	13.4	0.9	24.4
RADI-E1W-20S	20S	M20	1/2"	PG 13.5	15	6.1	11.6	11.4	16.3	0.9 - 1.25	27.5
RADI-E1W-20L	20L	M20	1/2"	PG 16	15	7.5	13.9	15.0	20.9	0.9- 1.25	31.6
RADI-E1W-25S	25S	M25	3/4"	Pg 16	15	13.5	17.1	19.0	23.8	1.25- 1.60	36.0
RADI-E1W-25L	25L	M25	3/4"	PG 21	15	13.5	20.0	20.3	27.0	1.25- 1.60	39.0
RADI-E1W-32L	32L	M32	1"	PG 29	15	17.0	26.0	26.0	33.0	1.60- 2.00	47.0
RADI-E1W-40S	40S	M40	1 1/4"	PG 29	15	24.0	30.0	30.0	38.2	1.60- 2.00	55.0
RADI-E1W-40L	40L	M40	1 1/4"	PG 36	15	24.0	32.0	31.0	40.4	1.60- 2.00	57.0
RADI-E1W-50S	50S	M50	1 1/2"	PG 36	15	29.5	38.0	36.5	46.7	2.00- 2.50	67.0
RADI-E1W-50L	50L	M50	1 1/2"	PG 42	15	35.6	44.0	43.0	53.0	2.00- 2.50	69.0
RADI-E1W-63S	63S	M63	2"	PG 48	15	40.1	50.0	49.0	60.0	2.00- 2.50	79.0
RADI-E1W-63L	63L	M63	2"		15	47.2	56.0	58.0	66.0	2.00- 2.50	85.0
RADI-E1W-75S	75S	M75	2 1/2"		15	53.0	62.0	60.6	72.0	2.50- 3.20	95.0
RADI-E1W-75L	75L	M75	2 1/2"		15	59.0	68.0	65.0	78.0	2.50- 3.20	101.0
RADI-E1W-90S	90S	M90	3"		25	66.6	74.5	75.0	85.0	2.50- 3.20	120.0
RADI-E1W-90L	90L	M90	3"		25	72.0	80.0	76.0	91.5	3.20	114.0
RADI-E1W-100	100	M100	3 1/2"		25	79.0	90.0	91.0	103.5	3.20	136.0
RADI-E1W-110	110	M110	4"		25	88.0	97.0	101.0	110.0	3.20	145.0

RADI - RBPG Glands for Un-armored Cables with IP54 Rating

Radi-RBPG series of glands are manufactured from high quality brass material and conform to DIN 40430 standards. This series of glands are suitable for outdoor and indoor application with armored braided, unarmored or lead sheathed unarmored cables where it is essential to provide an IP 54 seal on the inner sheath of the cables. This series also provide a dustproof seal on the outer sheath of armored cables.

Technical Data:

Material

Body: Brass with Nickel Plated

Seal: neoprene / nitrile rubber
(onion ring design)



Conformant standard:

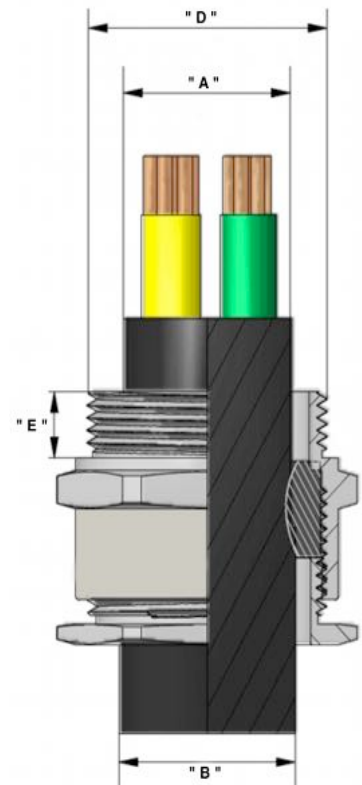
BS EN 50262: 1998 +A1: 2001

+A2: 2004, DIN 40430

IP54 Rating

Selection Chart:

Part Number	Thread Size "D"	Thread Length "E" (mm)	Cable Dimension mm		Cross Corners max (mm)
			min "A"	max "B"	
RBPG-7	PG-7	5.0	6.0	8.0	16.0
RBPG-8	PG-8	6.0	8.0	10.0	20.0
RBPG-11	PG-11	6.0	10.0	12.0	22.0
RBPG-13.5	PG-13.5	6.5	12.0	14.0	25.0
RBPG-16	PG-16	6.5	14.0	16.0	28.5
RBPG-21	PG-21	7.0	17.0	20.0	36.0
RBPG-29	PG-29	8.0	18.0	29.0	45.0
RBPG-36	PG-36	9.0	25.0	38.0	56.0
RBPG-42	PG-42	10.0	36.0	42.0	65.0
RBPG-48	PG-48	10.0	38.0	48.0	69.0



RADI - DNG Glands for Un-armored Cables with IP68 Rating

Radi-Metal Glands provide excellent watertight sealing to IP 68 rating. The product also provides superior strain relief and accommodates a wide cable range for each gland. The standard product is made of nickel-plated brass material. It incorporates a unique "camera shutter" principle plastic shell inserted into the gland to provide additional protection to the cable. Neoprene rubber seal is used for flame retardant and better fluid tightness. The gland comes in both metric and PG threads.



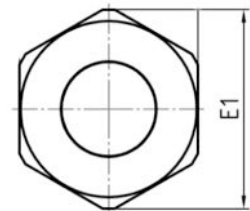
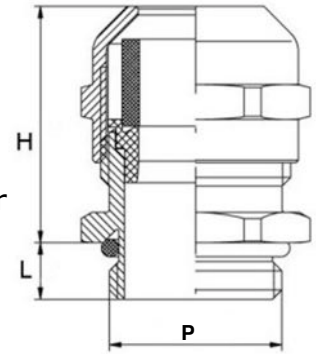
Technical Data

Material

Body: Brass Nickel Plated
Seal: Neoprene / nitrate rubber
Cable Grip: Polyamide PA6.6

Conformant standard

DIN 46320 / 46255
 Opt temp: -25 to 100 (deg. C)
 IP68 Rating



Selection Table:

Metric Thread Range

Part Number	Entry Thread Size "P" (mm)	Cable Entry Size Dia. (mm)		Length of Entry Thread "L"(mm)	Length of Gland's Body "H" (mm)		Across Width "E1" (mm)
		Min.	Max.		Min.	Max.	
DNG-M12	M12X1.5	3.0	7.0	6.5	16	20	18
DNG-M16	M16X1.5	4.5	10.0	7.0	20	25	23
DNG-M20	M20X1.5	7.0	13.0	8.0	20	27	27
DNG-M25	M25X1.5	10.0	17.0	8.0	24	30	32
DNG-M32	M32X1.5	11.0	21.0	9.0	27	34	40
DNG-M40	M40X1.5	19.0	28.0	9.0	34	42	50
DNG-M50	M50X1.5	26.0	35.0	10.0	35	43	60
DNG-M63	M63X1.5	34.0	46.0	15.0	40	50	74

PG Thread Range

Part Number	Entry Thread Size "P" (mm)	Cable Entry Size Dia. (mm)		Length of Entry Thread "L"(mm)	Length of Gland's Body "H" (mm)		Across Width "E1" (mm)
		Min.	Max.		Min.	Max.	
DNG-PG11	PG-11	4.5	10.0	6.0	20	25	23
DNG-PG13	PG-13.5	5.0	12.0	6.5	20	26	25
DNG-PG16	PG-16	7.0	13.0	6.5	20	27	27
DNG-PG21	PG-21	10.0	17.0	7.0	24	30	33
DNG-PG29	PG-29	17.0	25.0	8.0	30	37	45
DNG-PG36	PG-36	20.0	32.0	8.0	38	48	55
DNG-PG42	PG-42	28.0	38.0	10.0	36	46	63
DNG-PG48	PG-48	34.0	45.0	15.0	40	52	74

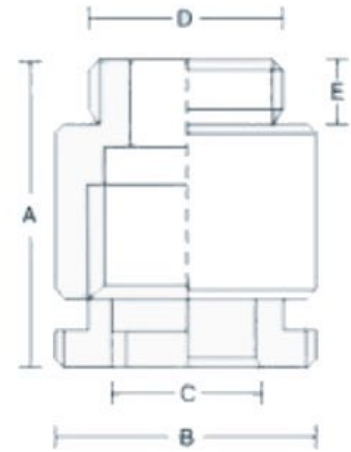
RADI - JSMG Glands for Un-armored Cables with IP55 Rating

Radi-JSMG type cable glands are suitable for applications in mainly indoor and environment with un-armored cable, providing an environmental seal on the cable out sheath. The neoprene rubber ring seal within the gland provides a good environmental seal with IP ratings of IP55. It is nickel plated to provide good protection against oxidization and corrosion.

Technical Data

Material
 Body: Brass Nickel Plated
 Seal: Neoprene / Nitrate rubber

Conformant Specification
 IEC 60529 Degree of protection
 Provided by enclosure (IP code)



Selection Chart

Part Number	Gland Size	Cable Entry Dia. "C" (mm)		Gland Body Length "A" (mm)	Entry Thread Length "E" (mm)	Entry Thread Size "D" NPT/BSP	Across Corners "B" (mm)
		Min	Max				
JSMG-10	10	4.0	8.0	45.0	11.0	3/8"	23
JSMG-15	15	6.4	11.0	50.0	11.0	1/2"	28
JSMG-20	20	9.5	15.0	53.0	11.0	3/4"	34
JSMG-25	25	14.0	20.0	60.0	12.0	1"	42
JSMG-30	30	19.0	26.0	65.0	12.0	1-1/4"	50
JSMG-35	35	24.5	30.0	70.0	12.0	1-1/2"	56
JSMG-40	40	28.5	34.0	70.0	12.0	1-1/2"	56
JSMG-45	45	33.0	40.0	85.0	12.0	2"	70
JSMG-50	50	38.5	44.0	85.0	12.0	2"	70
JSMG-55	55	43.0	50.0	87.0	12.0	2-1/2"	86
JSMG-60	60	49.0	56.0	88.0	12.0	2-1/2"	86
JSMG-65	65	54.5	60.0	100.0	15.0	3"	100
JSMG-70	70	58.5	64.0	110.0	15.0	3"	100



Radi-PGN Polyamide cable glands provide high degrees of functionality and safety for most industrial applications. For instance, the sealing nut is designed to provide a perfect grip and effortless spanner-tight seal. The multiple thread design provides secure and rapid assembly while the neoprene seals render a perfect watertight seal to IP66 and IP68. The blade system enables optimal strain relief and cable protection to be achieved, combined with a wide clamping range.

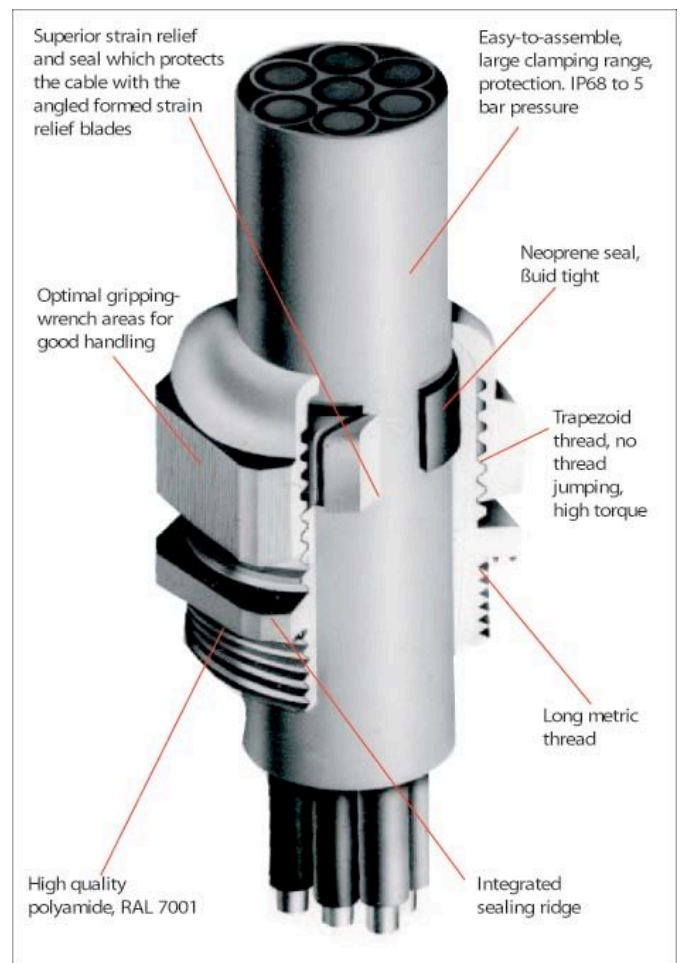
Available in 10 sizes with PG threads made from strong, cost effective Polyamide 6 material with glass fiber reinforced. RADI nylon cable glands come in 2 standard-colors (Dark Grey and Black), with other colors available on request.

Technical Data

Material: Body: Polyamide 6 with glass fiber reinforced (UL 94-V2)	Operating Temperature: -40 deg C to +80 deg C	Seal Rating: IP 66 (PVC material) IP 68 (Neoprene material)
Standard Color: Dark Grey and Black. Other colors available	Conformance Standard: BS EN 50262: 1998	Chemical Resistance: Petrol, Mineral oils, Diesel, Strong alkalis, Weak acid

Selection Table

Thread Size	Hole Size	Cable Clamping Range	Length of Thread	Part Number
PG 7	12.5	3.0 - 7.0	8.0	PGN-PG7
PG 9	15.2	4.0 - 8.0	8.0	PGN-PG9
PG 11	18.6	5.0 - 10.0	8.0	PGN-PG11
PG 13.5	20.4	6.0 - 12.0	9.0	PGN-PG13.5
PG 16	22.5	10.0 - 14.0	11.0	PGN-PG16
PG 21	28.3	13.0 - 18.0	11.0	PGN-PG21
PG 29	37.0	18.0 - 25.0	11.0	PGN-PG29
PG 36	47.0	22.0 - 32.0	13.0	PGN-PG36
PG 42	54.0	30.0 - 38.0	13.0	PGN-PG42
PG 48	59.3	34.0 - 44.0	14.0	PGN-PG48
M16	15.9	4.0 - 8.0	15.0	PGN-M16
M20	19.8	6.0 - 12.0	15.0	PGM-M20
M25	24.8	12.0 - 18.0	15.0	PGM-M25
M32	31.6	18.0 - 25.0	15.0	PGM-M32
M40	39.9	22.0 - 32.0	21.0	PGM-M40
M50	50.0	30.0 - 38.0	22.0	PGM-M50
M63	62.5	34.0 - 44.0	25.0	PGM-M63

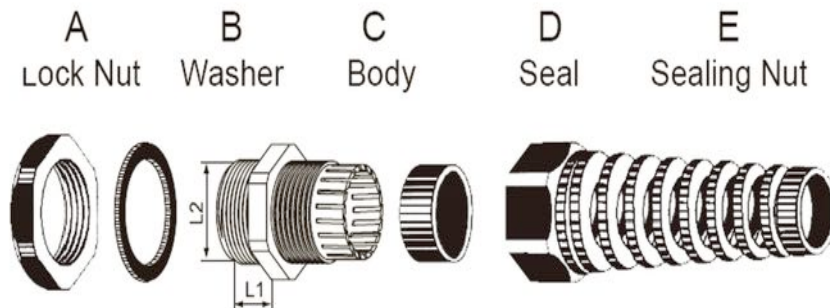


RADI – Polyamide Cable Glands with Strain Relief

Radi- Polyamide Strain Relief Cable Glands are designed to provide excellent stretch resistance with strain relief on connected cables. The product comprises of five parts: Lock Nut, Rubber Washer, Connecting Body, Water-tight Seal and Sealing Nut. It provides good water and dust proofing, high resistance to salt, acid, grease and alkaline

Body material: Made from Nylon PA66 Material
O-seal ring material: Nitrate Butadiene Rubber (NBR)
Operating temperature: -40 Deg. C to +100 Deg. C
Colors available: Black, Light Grey and Dark Grey
Seal Rating: IP68

Product Dimensions



Part Number	Thread Size	Cable Range O.D (mm)	Thread O.D L2 (mm)	Thread Lgth L1 (mm)	Standard Packing (Pcs)
RPGN-PG7SR	PG7	3 to 6.5	12.5	9	100
RPGN-PG9SR	PG9	4 to 8	15.2	9	100
RPGN-PG11SR	PG11	5 to 10	18.6	9	100
RPGN-PG13.5SR	PG13.5	6 to 12	20.4	10	50
RPGN-PG16SR	PG16	10 to 14	22.5	10	50
RPGN-PG21SR	PG21	10 to 16	28.3	12	50
RPGM-M12SR	M12x 1.5	3 to 6.5	12	9	100
RPGM-M16SR	M16x 1.5	4 to 8	16	9	100
RPGM-M20SR	M20x 1.5	6 to 12	20	10	50
RPGM-M25SR	M25x 1.5	13 to 16	25	12	50
RPGM-M27SR	M27x 1.5	10 to 16	27	12	50

RADI – Screw Plugs (Polyamide and Brass)

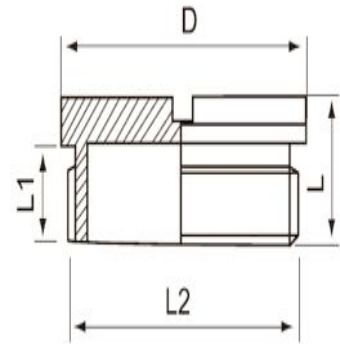
Polyamide Screw Plugs

Body material: Made from Nylon PA66 Material
O-seal ring material: Nitrile Butadiene Rubber (NBR)
Operating temperature: -40 Deg. C to +100 Deg. C
Colors available: Black, Light Grey and Dark Grey



Product Dimensions

Part Number	Thread Size	Thread O.D L2 (mm)	Thread Length L1 (mm)	Standard Packing
PGNP-PG7	PG7	12.5	8.5	15
PGNP-PGP	PG9	15.2	8.5	20
PGNP-PG11	PG11	18.6	9	25
PGNP-PG13.5	PG13.5	20.4	9	25
PGNP-PG16	PG16	22.5	10.5	30
PGNP-PG21	PG21	28.3	10.5	30
PGNP-PG29	PG29	37	11.5	40
PGNP-PG36	PG36	47	13.5	50
PGNP-PG42	PG42	54	13.5	50
PGNP-PG48	PG48	59.3	14.5	50
PGMP-M12	M12x 1.5	12	8.5	15
PGMP-M16	M16x 1.5	16	8.5	20
PGMP-M25	M25x 1.5	25	10.5	30
PGMP-M32	M32x 1.5	32	10.5	30
PGMP-M40	M40x 1.5	40	11.5	50
PGMP-M50	M50x 1.5	50	13.5	50
PGMP-M63	M63x 1.5	63	14	50



Brass Screw Plugs

Body material: Made from Brass as per BS 2874 CZ121 Pb3
O-seal ring material: Nitrile Butadiene Rubber (NBR)
Available finishing: Yellow Brass, Nickel Plated
Thread available: Metric, PG and NPT







Product Dimensions

Part Number	Thread Size	Thread O.D L2 (mm)	Thread Length L1 (mm)	Body O.D D (mm)	Total Length L (mm)	Standard Packing
RADI-SPM16	M16x 1.5	16	6	18	8	20
RADI-SPM20	M20x 1.5	20	6.5	22	8.5	20
RADI-SPM25	M25x 1.5	25	7	27	10	20
RADI-SPM32	M32x 1.5	32	8	34	11	20
RADI-SPM40	M40x 1.5	40	9.5	44	13	20
RADI-SPM50	M50x 1.5	50	10.5	54	14.5	20
RADI-SPM63	M63x 1.5	63	10.5	67	15	20

Glands Selection Reference Table For SWA Armored Cables

Glands Selection Reference Table for PVC / XLPE / SWA Cables as Per BS 5467

Conductor Size (mm-SQ)	No. of Cores	Approx. Overall Dia. (mm)				
			BWR	CWR	E1WR	E1FW
1.5	2	12.3	20/16	20/16	20/16	20/16
	3	12.8	20/16	20/16	20/16	20/16
	4	14.0	20S	20S	20S	20S
	5	14.2	20S	20S	20S	20S
	6	15.2	20S	20S	20S	20S
	7	15.6	20S	20S	20S	20S
2.5	2	13.6	20S	20S	20S	20S
	3	13.6	20S	20S	20S	20S
	4	14.7	20S	20S	20S	20S
	5	16.3	20L	20L	20L	20L
	6	17.1	20L	20L	20L	20L
	7	17.6	20L	20L	20L	20L
4	2	14.7	20L	20S	20S	20S
	3	15.3	20L	20S	20S	20S
	4	16.4	20L	20L	20L	20L
6	2	15.9	20L	20S	20S	20S
	3	16.6	20L	20L	20L	20L
	4	18.7	20L	20L	20L	20L
10	2	18.0	20L	20L	20L	20L
	3	18.9	20L	20L	20L	20L
	4	20.3	25S	20L	20L	20L
16	2	20.0	25S	25S	20L	20L
	3	21.2	25S	25S	25S	25S
	4	22.9	25S	25S	25S	25S
25	2	24.1	25L	25L	25L	25L
	3	26.7	25L	25L	25L	25L
	4	28.9	32L	32L	32L	32L
35	2	27.9	32L	32L	32L	32L
	3	29.9	32L	32L	32L	32L
	4	32.1	32L	32L	32L	32L
50	2	25.8	25L	25L	25L	25L
	3	28.5	32L	32L	32L	32L
	4	32.0	32L	32L	32L	32L
70	2	29.0	32L	32L	32L	32L
	3	32.3	40S	40S	40S	40S
	4	37.7	40L	40L	40S	40S
95	2	33.1	40S	40S	40S	40S
	3	37.0	40L	40L	40L	40L
	4	41.7	50S	50S	50S	50S
120	2	36.1	40L	40L	40L	40L
	3	40.4	50S	50S	50S	50S
	4	47.1	50L	50L	50L	50L
150	2	39.3	50S	50S	50S	50S
	3	45.5	50S	50S	50S	50S
	4	51.4	50L	50L	50L	50L
185	2	44.7	50S	50S	50S	50S
	3	49.8	50L	50L	50L	50L
	4	56.6	63S	63S	63S	63S
240	2	49.0	50L	50L	50L	50L
	3	55.1	63S	63S	63S	63S
	4	63.0	63L	63L	63L	63L
300	2	53.5	63S	63S	63S	63S
	3	60.2	63L	63L	63L	63L
	4	68.8	75S	75S	75S	75S
400	2	59.0	63S	63L	63L	63L
	3	66.6	75S	75S	75S	75S
	4	78.0	75L	90S	90S	90S

Note: As the Dimensions of the Cables may varies between manufacturers, we suggest to all users to check the dimensions prior application and/or purchase of the product

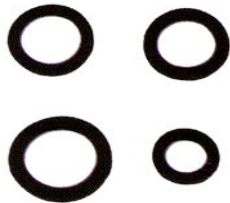
Earth Tags:

Manufactured out of Brass, the earth tag ensures earth continuity between the gland and equipment. The earth tag is available in standard yellow brass, nickel-plated and stainless steel



Shrouds & Heat Shrink Enclosure Sleeves:

Shrouds made of PVC or Flame Retardant materials are available for fitting over the cable glands. They provide additional protection against onerous weather conditions and corrosion. Flame retardant shrouds are used on glands installed in hazardous areas. Heat Shrink Enclosure Sleeves are used in place of shrouds in installations where water-tight, high flame-retardant and high mechanical protection are required.



Entry Thread Seals:

Entry Thread Seals are used to provide IP66 rating for internal and external water tight sealing. This product is made from synthetic rubber or natural rubber or neoprene rubber

Lock Nuts:

Lock nuts are used to secure gland body with equipment or enclosure boxes when entry hole is not tapped. They are manufactured from natural brass with/without nickel plating. Galvanized lock nuts are also available for applications in dry low humidity conditions.



Cable Gland Kit:

RADI –Gland Kit is a simple and convenient option to terminate the cable run. This kit consists of the appropriate Cable Gland, Shroud, Earth-tag, Lock Nut and Entry Thread Seal. The Kit consists of either one or two gland set depending on specific requirement. Kits are available for all sizes and types of glands offered in this catalogue.



Special Products for Special Requirements:

Apart from products presented in this catalogue, we have the technical competence to design and develop cable glands for special applications and/or unique cable structures. We are able to offer glands in a wide material selection such as: brass, stainless steel (316 Grade), Aluminum, etc. If you have any special requirement where the standard range of glands do not fit your needs, call us and we will tailor-made glands satisfying your special requirements.

RADI-GLANDS offer Cable Gland kits with full accessories for all types of metal glands. Each Kit comprises of: one (1) Cable Gland, one (1) Lock-nut, one (1) Earth-tag, one (1) washer or O-ring (Nitrile/Neoprene/Nylon material) and one (1) PVC/LSZH shrouds (LSZH material shrouds are tested and conform to ASTM-D-2843-2010 and IEC 60754-1/2011 for smoke density and Halogen free)

For full dimensions of each type of cable glands, please do refer to the appropriate pages detailing the cable glands (A2, BWR, CWR, E1W) dimensions and technical information in this catalogue.

Cable Gland Kits Selection Table

Part Number	Type	OD Cable Entry	Mounting Thread	IP Rating	Thread Length	Kit Accessories Content			
						Earth-Tag	Lock-Nut	Seals	Shroud
RADI-A2-20S-KT	A2	6.1mm to 11.6mm	M20	IP66	15mm/20mm	1	1	1 (Washer/O-ring)	1 (LSZH/PVC)
RADI-A2-20L-KT	A2	8.0mm to 14.0mm	M20	IP66	15mm/20mm	1	1	1 (Washer/O-ring)	1 (LSZH/PVC)
RADI-A2-25S-KT	A2	14.0mm to 17.0mm	M25	IP66	15mm/20mm	1	1	1 (Washer/O-ring)	1 (LSZH/PVC)
RADI-A2-25L-KT	A2	14.0mm to 20.2mm	M25	IP66	15mm/20mm	1	1	1 (Washer/O-ring)	1 (LSZH/PVC)
RADI-A2-32S-KT	A2	19.0mm to 24.0mm	M32	IP66	15mm/20mm	1	1	1 (Washer/O-ring)	1 (LSZH/PVC)
RADI-A2-32L-KT	A2	20.0mm to 26.0mm	M32	IP66	15mm/20mm	1	1	1 (Washer/O-ring)	1 (LSZH/PVC)
RADI-A2-40S-KT	A2	26.0mm to 30.0mm	M40	IP66	15mm/20mm	1	1	1 (Washer/O-ring)	1 (LSZH/PVC)
RADI-A2-40L-KT	A2	28.0mm to 32.0mm	M40	IP66	15mm/20mm	1	1	1 (Washer/O-ring)	1 (LSZH/PVC)
RADI-A2-50S-KT	A2	29.5mm to 38.0mm	M50	IP66	15mm/20mm	1	1	1 (Washer/O-ring)	1 (LSZH/PVC)
RADI-A2-50L-KT	A2	35.6mm to 44.0mm	M50	IP66	15mm/20mm	1	1	1 (Washer/O-ring)	1 (LSZH/PVC)
RADI-A2-63S-KT	A2	41.0mm to 49.5mm	M63	IP66	15mm/20mm	1	1	1 (Washer/O-ring)	1 (LSZH/PVC)
RADI-A2-63L-KT	A2	47.0mm to 56.0mm	M63	IP66	15mm/20mm	1	1	1 (Washer/O-ring)	1 (LSZH/PVC)
RADI-A2-75S-KT	A2	52.8mm to 62.0mm	M75	IP66	25mm	1	1	1 (Washer/O-ring)	1 (LSZH/PVC)
RADI-A2-75L-KT	A2	59.0mm to 68.0mm	M75	IP66	25mm	1	1	1 (Washer/O-ring)	1 (LSZH/PVC)
RADI-CWR-20S-KT	CWR	11.5mm to 16.0mm	M20 / 1/2"(NPT)	IP66	15mm/20mm	1	1	1 (Washer/O-ring)	1 (LSZH/PVC)
RADI-CWR-20L-KT	CWR	15.0mm to 21.0mm	M20 / 1/2"(NPT)	IP66	15mm/20mm	1	1	1 (Washer/O-ring)	1 (LSZH/PVC)
RADI-CWR-25S-KT	CWR	19.0mm to 23.8mm	M25 / 3/4"(NPT)	IP66	15mm/20mm	1	1	1 (Washer/O-ring)	1 (LSZH/PVC)
RADI-CWR-25L-KT	CWR	20.0mm to 27.0mm	M25 / 3/4"(NPT)	IP66	15mm/20mm	1	1	1 (Washer/O-ring)	1 (LSZH/PVC)
RADI-CWR-32L-KT	CWR	26.0mm to 33.0mm	M32 / 1"(NPT)	IP66	15mm/20mm	1	1	1 (Washer/O-ring)	1 (LSZH/PVC)
RADI-CWR-40S-KT	CWR	30.0mm to 38.0mm	M40 / 1 1/4"(NPT)	IP66	15mm/20mm	1	1	1 (Washer/O-ring)	1 (LSZH/PVC)
RADI-CWR-40L-KT	CWR	31.0mm to 40.0mm	M40 / 1 1/4"(NPT)	IP66	15mm/20mm	1	1	1 (Washer/O-ring)	1 (LSZH/PVC)
RADI-CWR-50S-KT	CWR	36.5mm to 46.5mm	M50 / 1 1/2"(NPT)	IP66	15mm/20mm	1	1	1 (Washer/O-ring)	1 (LSZH/PVC)
RADI-CWR-50L-KT	CWR	43.0mm to 53.0mm	M50 / 1 1/2"(NPT)	IP66	15mm/20mm	1	1	1 (Washer/O-ring)	1 (LSZH/PVC)
RADI-CWR-63S-KT	CWR	49.0mm to 60.0mm	M63 / 2"(NPT)	IP66	15mm/20mm	1	1	1 (Washer/O-ring)	1 (LSZH/PVC)
RADI-CWR63L-KT	CWR	58.0mm to 66.0mm	M63 / 2"(NPT)	IP66	15mm/20mm	1	1	1 (Washer/O-ring)	1 (LSZH/PVC)
RADI-CWR-75S-KT	CWR	60.5mm to 72.0mm	M75 / 2 1/2"(NPT)	IP66	15mm/20mm	1	1	1 (Washer/O-ring)	1 (LSZH/PVC)
RADI-CWR-75L-KT	CWR	65.0mm to 78.0mm	M75 / 2 1/2"(NPT)	IP66	15mm/20mm	1	1	1 (Washer/O-ring)	1 (LSZH/PVC)
RADI-BWR-20S-KT	BWR	11.6mm to 16.0mm	M20 / 1/2"(NPT)	IP54	15mm/20mm	1	1	1 (Washer/O-ring)	1 (LSZH/PVC)
RADI-BWR-20L-KT	BWR	14.0mm to 21.0mm	M20 / 1/2"(NPT)	IP54	15mm/20mm	1	1	1 (Washer/O-ring)	1 (LSZH/PVC)
RADI-BWR-25S-KT	BWR	17.0mm to 23.5mm	M25 / 3/4"(NPT)	IP54	15mm/20mm	1	1	1 (Washer/O-ring)	1 (LSZH/PVC)
RADI-BWR-25L-KT	BWR	20.0mm to 27.5mm	M25 / 3/4"(NPT)	IP54	15mm/20mm	1	1	1 (Washer/O-ring)	1 (LSZH/PVC)
RADI-BWR-32L-KT	BWR	26.0mm to 33.5mm	M32 / 1"(NPT)	IP54	15mm/20mm	1	1	1 (Washer/O-ring)	1 (LSZH/PVC)
RADI-BWR-40S-KT	BWR	30.0mm to 38.0mm	M40 / 1 1/4"(NPT)	IP54	15mm/20mm	1	1	1 (Washer/O-ring)	1 (LSZH/PVC)
RADI-BWR-40L-KT	BWR	32.0mm to 40.0mm	M40 / 1 1/4"(NPT)	IP54	15mm/20mm	1	1	1 (Washer/O-ring)	1 (LSZH/PVC)
RADI-BWR-50S-KT	BWR	38.0mm to 46.5mm	M50 / 1 1/2"(NPT)	IP54	15mm/20mm	1	1	1 (Washer/O-ring)	1 (LSZH/PVC)
RADI-BWR-50L-KT	BWR	44.0mm to 53.0mm	M50 / 1 1/2"(NPT)	IP54	15mm/20mm	1	1	1 (Washer/O-ring)	1 (LSZH/PVC)
RADI-BWR-63S-KT	BWR	50.0mm to 61.0mm	M63 / 2"(NPT)	IP54	15mm/20mm	1	1	1 (Washer/O-ring)	1 (LSZH/PVC)
RADI-BWR-63L-KT	BWR	56.0mm to 67.0mm	M63 / 2"(NPT)	IP54	15mm/20mm	1	1	1 (Washer/O-ring)	1 (LSZH/PVC)
RADI-BWR-75S-KT	BWR	62.0mm to 72.0mm	M75 / 2 1/2"(NPT)	IP54	15mm/20mm	1	1	1 (Washer/O-ring)	1 (LSZH/PVC)
RADI-BWR-75L-KT	BWR	68.0mm to 78.0mm	M75 / 2 1/2"(NPT)	IP54	15mm/20mm	1	1	1 (Washer/O-ring)	1 (LSZH/PVC)
RADI-E1W-20S-KT	E1W	11.5mm to 16.0mm	M20 / 1/2"(NPT)	IP66	15mm/20mm	1	1	1 (Washer/O-ring)	1 (LSZH/PVC)
RADI-E1W-20L-KT	E1W	15.0mm to 21.0mm	M20 / 1/2"(NPT)	IP66	15mm/20mm	1	1	1 (Washer/O-ring)	1 (LSZH/PVC)
RADI-E1W-25S-KT	E1W	19.0mm to 23.8mm	M25 / 3/4"(NPT)	IP66	15mm/20mm	1	1	1 (Washer/O-ring)	1 (LSZH/PVC)
RADI-E1W-25L-KT	E1W	20.0mm to 27.0mm	M25 / 3/4"(NPT)	IP66	15mm/20mm	1	1	1 (Washer/O-ring)	1 (LSZH/PVC)
RADI-E1W-32L-KT	E1W	26.0mm to 33.0mm	M32 / 1"(NPT)	IP66	15mm/20mm	1	1	1 (Washer/O-ring)	1 (LSZH/PVC)
RADI-E1W-40S-KT	E1W	30.0mm to 38.0mm	M40 / 1 1/4"(NPT)	IP66	15mm/20mm	1	1	1 (Washer/O-ring)	1 (LSZH/PVC)
RADI-E1W-40L-KT	E1W	31.0mm to 40.0mm	M40 / 1 1/4"(NPT)	IP66	15mm/20mm	1	1	1 (Washer/O-ring)	1 (LSZH/PVC)
RADI-E1W-50S-KT	E1W	36.5mm to 46.5mm	M50 / 1 1/2"(NPT)	IP66	15mm/20mm	1	1	1 (Washer/O-ring)	1 (LSZH/PVC)
RADI-E1W-50L-KT	E1W	43.0mm to 53.0mm	M50 / 1 1/2"(NPT)	IP66	15mm/20mm	1	1	1 (Washer/O-ring)	1 (LSZH/PVC)
RADI-E1W-63S-KT	E1W	49.0mm to 60.0mm	M63 / 2"(NPT)	IP66	15mm/20mm	1	1	1 (Washer/O-ring)	1 (LSZH/PVC)
RADI-E1W-63L-KT	E1W	58.0mm to 66.0mm	M63 / 2"(NPT)	IP66	15mm/20mm	1	1	1 (Washer/O-ring)	1 (LSZH/PVC)
RADI-E1W-75S-KT	E1W	60.5mm to 72.0mm	M75 / 2 1/2"(NPT)	IP66	15mm/20mm	1	1	1 (Washer/O-ring)	1 (LSZH/PVC)
RADI-E1W-75L-KT	E1W	65.0mm to 78.0mm	M75 / 2 1/2"(NPT)	IP66	15mm/20mm	1	1	1 (Washer/O-ring)	1 (LSZH/PVC)

Note:

Please clearly indicate in your requisition the type of product finishing, mounting thread, seals and shrouds required. For ordering details please contact our office or business partners near you.

General Warranties Statement

Radiform Insulation Industries Pte Ltd has taken all the reasonable necessary steps in ensuring the products sold meet their intended function and the required operating standards. But they do not represent binding properties. Customers and end-users have to decide autonomously on the suitability of the products for their intended purposes.

Unauthorized modification or misuse of the product will render all warranties to that product null and void. The product must be installed and used as accordance to its intended design and function.

Limited Liability

The product will be free from defects in material and manufacture at the time of purchase. **RADIFORM INSULATION INDUSTRIES AND IT'S RESELLING PARTNERS MAKE NO OTHER WARRANTIES INCLUDING, BUT NOT LIMITED TO, ANY IMPLIED WARRANTY OF MERCHANTABILITY OR FITNESS FOR A PARTICULAR PURPOSE.** If this product is defective within the warranty period stated in the product, your exclusive remedy shall be, at RADIFORM INSULATION INDUSTRIES option, to replace or repair the product or refund the purchase price of the product. **RADIFORM INSULATION INDUSTRIES AND IT'S RESELLING PARTNERS will not be liable for any indirect, special, incidental or consequential loss or damage arising from the product, regardless of the legal theory asserted.**

