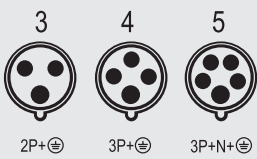
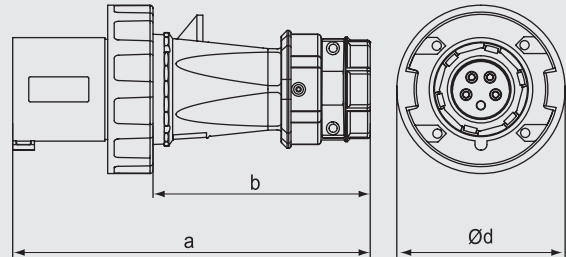


产品外观  
Photo



外形尺寸  
Dimension



电流 Current	极数 Pole	3P 4h	4P 4h	5P 4h	3P 6h	4P 9h	5P 9h	3P 9h	4P 6h	5P 6h	3P 7h	4P 7h	5P 7h	3P 10h	4P 10h	5P 10h	3P 2h	4P 2h
110 V 50 a. 60 Hz																		
230 V 50 a. 60 Hz																		
400 V 50 a. 60 Hz																		
500 V 50 a. 60 Hz																		
>50 - 500 V 100- 300 Hz																		
>50 - 500 V a. 300- 500 Hz																		

◆◆ IP 67 CEE / IEC 插头，带外部电缆紧固装置及耐高温接触载体，插销表面镀镍  
 ◆◆ IP 67 CEE / IEC Plug: external cable grip, highly heat resistant contact carrier, nickel plated contacts

63	3	UKS-A336-4	UKS-A336-6	UKS-A336-9	UKS-A336-7
63	4	UKS-A346-4	UKS-A346-9	UKS-A346-6	UKS-A346-7
63	5	UKS-A356-4	UKS-A356-9	UKS-A356-6	UKS-A356-7
125	3	UKS-A436-4	UKS-A436-6	UKS-A436-9	UKS-A436-7
125	4	UKS-A446-4	UKS-A446-9	UKS-A446-6	UKS-A446-7
125	5	UKS-A456-4	UKS-A456-9	UKS-A456-6	UKS-A456-7

选型  
Description

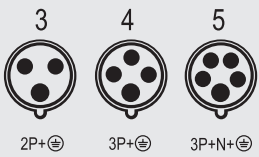
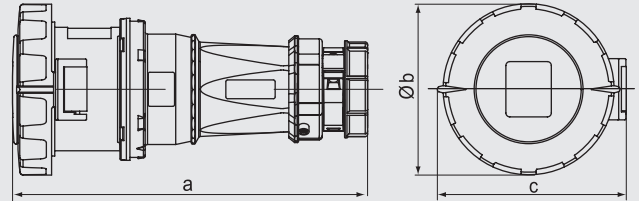
参数  
Parameter

电流 (A) Current	63			125			
极数 (P) Pole (P)	3	4	5	3	4	5	
尺寸 Dimension (mm)	a	238.3	238.3	238.3	291.1	291.1	291.1
	b	155.3	155.3	155.3	210	210	210
	d	112.2	112.2	112.2	131	131	131
导线横截面积 (mm <sup>2</sup> ) Conductors dimension Min. - max.	6	6	6	25	25	25	
	-25	-25	-25	-70	-70	-70	

产品外观  
Photo



外形尺寸  
Dimension



电流 Current	极数 Pole	3P 4h	4P 4h	5P 4h	3P 6h	4P 9h	5P 9h	3P 9h	4P 6h	5P 6h	3P 7h	4P 7h	5P 7h	3P 10h	4P 10h	5P 10h	3P 2h	4P 2h
110 V 50 a. 60 Hz																		
230 V 50 a. 60 Hz																		
400 V 50 a. 60 Hz																		
500 V 50 a. 60 Hz																		
>50 - 500 V 100- 300 Hz																		
>50 - 500 V a. 300- 500 Hz																		

◆ IP 67 CEE / IEC 连接器，软接触工艺，带外部电缆紧固装置及耐高温接触载体  
 ◆ IP 67 CEE / IEC Connector: soft-touch process, external cable grip, highly heat resistant contact carrier

63	3	UKS-C336-4	UKS-C336-6	UKS-C336-9	UKS-C336-7
63	4	UKS-C346-4	UKS-C346-9	UKS-C346-6	UKS-C346-7
63	5	UKS-C356-4	UKS-C356-9	UKS-C356-6	UKS-C356-7

### 选型

### Description

### 参数

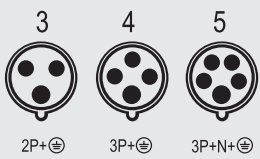
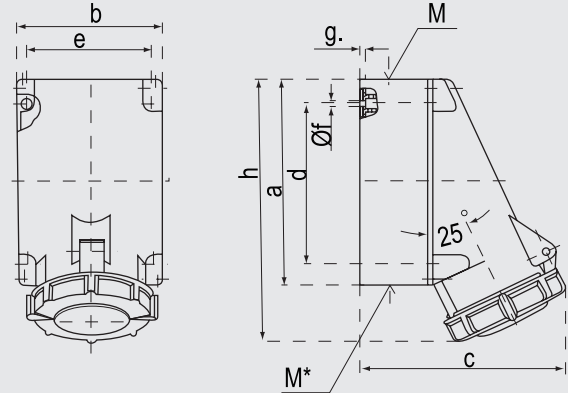
### Parameter

电流 (A) Current		63
极数 (P) Pole (P)		3 4 5
尺寸 Dimension (mm)	a	270 270 270
	b	113 113 113
	c	123 123 123
导线横截面积 (mm <sup>2</sup> ) 从最小至最大 Conductors section Min. - max.		6 6 6 -25 -25 -25

产品外观  
Photo



外形尺寸  
Dimension



电流 Current	极数 Pole	3P 4h	4P 4h	5P 4h	3P 6h	4P 9h	5P 9h	3P 9h	4P 6h	5P 6h	3P 7h	4P 7h	5P 7h	3P 10h	4P 10h	5P 10h	3P 2h	4P 2h
110 V 50 a. 60 Hz																		
230 V 50 a. 60 Hz																		
400 V 50 a. 60 Hz																		
500 V 50 a. 60 Hz																		
>50 - 500 V 100- 300 Hz																		
>50 - 500 V a. 300- 500 Hz																		

- ◆ IP 67 CEE / IEC 插座，软接触工艺，从顶部和底部穿入电缆线
- ◆ IP 67 CEE / IEC Wall mounted socket: soft-touch process, cable entry at the top and the bottom

63	3	UKS-F336-4	UKS-F336-6	UKS-F336-9	UKS-F336-7
63	4	UKS-F346-4	UKS-F346-9	UKS-F346-6	UKS-F346-7
63	5	UKS-F356-4	UKS-F356-9	UKS-F356-6	UKS-F356-7

### 选型

### Description

参数 Parameter	电流 (A) C (A) rent			
	极数 (P) Pole (P)			
尺寸 Dimension (mm)	a	170	170	170
	b	118	118	118
	c	171	171	171
	d	134.5	134.5	134.5
	e	103	103	103
	f	6.1	6.1	6.1
	g.	6	6	6
	h	216	216	216
	M	40	40	40
	M*	2个M 4.0 (堵头) 可剪断 2xM4.0 (removable)		
最大电缆直径 (mm)		32	32	32
导线横截面积 (mm <sup>2</sup> )		6	6	6
从最小至最大		- 25	- 25	- 25
Max cable diameter (mm)				
Conductors section				
Min. - max.				