



CIRCUIT ISOLATING DEVICE

Din-Rail Isolator

A Complete System in Circuit Protection



CIRCUIT ISOLATING DEVICE

Din-Rail Isolator

Product Features

- Modular Range suitable for Din-Rail Mounting.
- Available in 2 pole, 3 pole & 4 pole up to 100Amp Rating at 240/415V AC.
- Recommended for use as main Incomer or as Isolating Device for Air-Cond, Motor, Pumps & etc.
- Capable of on Load Switching.



Catalogue No	AMP Rating	No. of Poles
ISO 322	32A	2 Pole
ISO 402	40A	2 Pole
ISO 632	63A	2 Pole



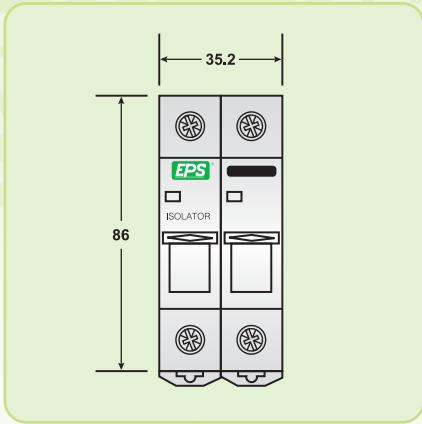
Catalogue No	AMP Rating	No. of Poles
ISO 323	32A	3 Pole
ISO 403	40A	3 Pole
ISO 633	63A	3 Pole



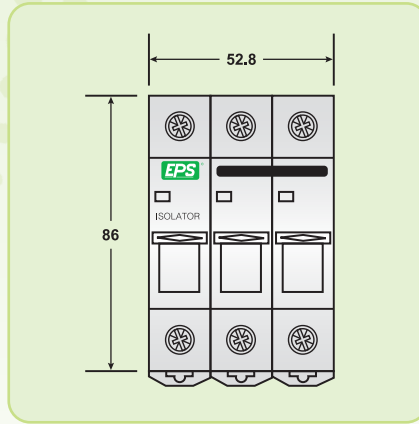
Catalogue No	AMP Rating	No. of Poles
* EIS 1002	100A	2 Pole
EIS 1003	100A	3 Pole
* EIS 1004	100A	4 Pole

* Non-Standard Items

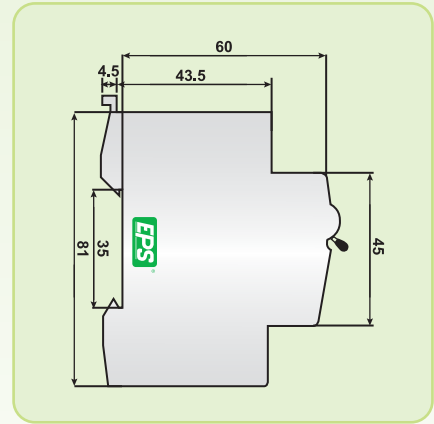
DIMENSIONS



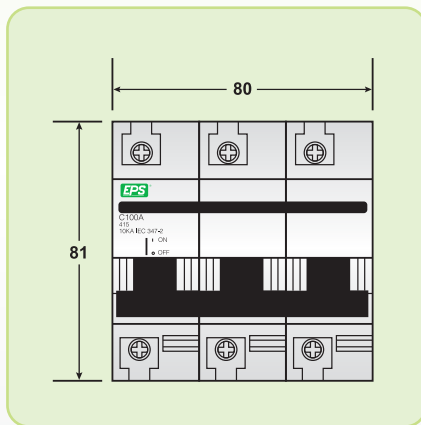
EPS 2P ISOLATOR



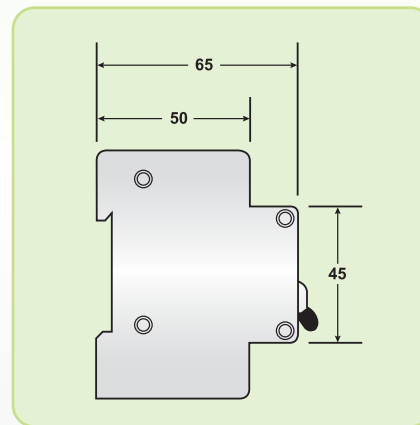
EPS 3P ISOLATOR



SIDE VIEW



EPS 3P ISOLATOR (100A)



SIDE VIEW

TECHNICAL DATA

No. of Pole	2, 3, 4
Rated Voltage	240 / 415V AC
Category	Continuous duty
Standard	Compliance to IEC 60947-3 MS 590 (BS 5419)
Mounting	Din-Rail Type
Frequency	50Hz, AC
Connection	Top & Bottom Biconnect system to use either wire; fork type or comb-busbar
Terminal Cross Section	25mm ² box type terminal.
Rated Current	Up to 100 Amp

Dealer:

UTAMA

SWITCHGEAR SDN BHD

UTAMA SWITCHGEAR SDN BHD (416650-H)

No. 3, Jalan USJ 19/4A, UEP Subang Jaya,
47630 Petaling Jaya, Selangor Darul Ehsan, Malaysia.

Tel 603-8024 1215 / 1216 **Fax** 603-8024 1796

Email utamasb@unifi.my