

G CABLE GLAND

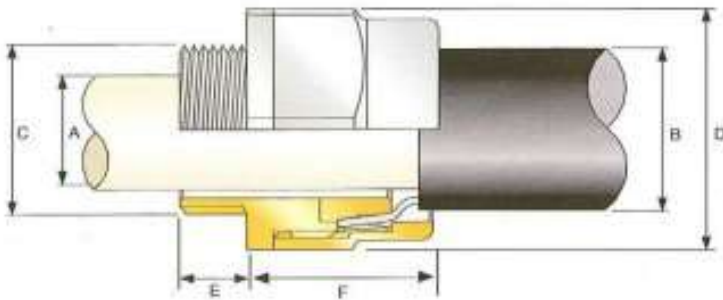
This G type brass cable gland provides mechanical cable retention and electrical connectivity for cable termination. It is for indoor applications and is suitable for use with all types of Single Wire Armour (SWA). Its design offers the benefit of a longer body to protect the armour cables from pulling impact. This industrial cable gland is designed as per BS 6121:1989.

Brand : Rupam
 Material : Nickel Plated Brass
 Cable Type : Single Wire Armour (SWA)
 Armour Clamping : Clamping Ring
 Design Specification : BS 6212 : Part 1: 1989

Available Accessories : PVC Shroud and Brass Earth Tag
 (to be purchased separately)



PVC Shroud and Brass Earth Tag



Item Code	Gland Size	Entry Thread		Cable Acceptance Details			Across Flat	Across Corner
		Dia 'C'	Length 'E' Min	Dia 'A' Max	Dia 'B' Max	Armour Dia		
ACCG-G-204	204	20	9	11.50	17.00	0.90/1.25	21.50	24.50
ACCG-G-206	206	20	9	13.80	20.00	0.90/1.25	24.00	27.30
ACCG-G-254	254	25	9	16.50	22.00	1.25/1.60	27.00	30.50
ACCG-G-256	256	25	9	18.80	24.50	1.25/1.60	30.50	34.00
ACCG-G-324	324	32	9	22.80	29.00	1.60/2.00	34.50	39.00
ACCG-G-326	326	32	10	26.50	33.00	1.60/2.00	39.00	44.00
ACCG-G-405	405	40	10	33.00	40.50	1.60/2.00	47.50	54.00
ACCG-G-503	503	50	11	39.00	47.00	2.00/2.50	52.00	58.00
ACCG-G-505	505	50	11	44.00	52.00	2.00/2.50	53.00	59.50
ACCG-G-636	636	63	15	55.00	65.00	2,50	70.50	79.00
ACCG-G-753	753	75	15	61.50	71.00	2.50	78.50	88.00
ACCG-G-755	755	75	15	67.50	77.00	2.50	85.00	95.20

Notes:

1. All dimensions are in mm.
2. Please consult with our sales personnel before order.