



TEL - 30 LED

Self-Contained Emergency Luminaires

2 x 3.0 W Power LED



Specifications

- Model ➔ TEL-30 LED
- Light Source ➔ 2 x 3.0 watt Power LED
- Mode ➔ Non-Maintained
- Weight ➔ ~ 1.6 Kg
- Battery ➔ 4 X 1.2V, 4.5AH NI-CAD
- Housing ➔ Electro-galvanised sheet steel with powder coated paint
- Charger ➔ Constant Current
- Mounting ➔ Surface mounting direct to wall
- Dimension (mm) ➔ 57(H) x 194(W) x 235(L) (mm)
- Monitoring ➔ Green / Red LED indicating healthy supply and charging
- Compliance ➔ SIRIM MS 619-2-22:2005, MS IEC 60598-1:2012
Jabatan Bomba and Penyelamat Malaysia certified.
- Input Voltage ➔ 240 V +/- 10% 50/60 Hz
- Input Power ➔ ~3.0W
- Recharge Period ➔ 16 - 24 Hours
- Back Up Duration ➔ 3 Hours
- Battery Protection ➔ Low voltage cut-off to prevent over discharging.
- Degree of Protection ➔ IP - 20
- Operating Temperature ➔ 0 °C to 65 °C
- Ambient Temperature ➔ 40 °C
- Lumen Output ➔ 380 lm

For further enquiries, please contact :-

PNE SYSTEMS SDN. BHD.

No.3, Jalan SS26/13,
Taman Mayang Jaya 47301, Petaling Jaya,
Selangor Darul Ehsan, Malaysia

Tel : 603-78037488 (Hunting)

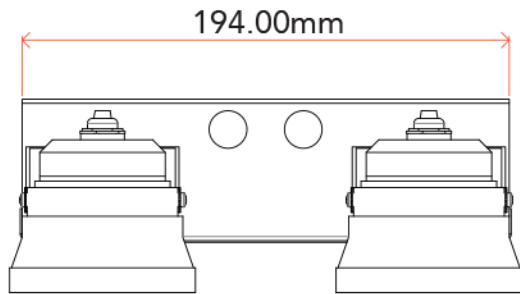
Fax : 603-78038509

E-mail : sales@pnesys.com.my

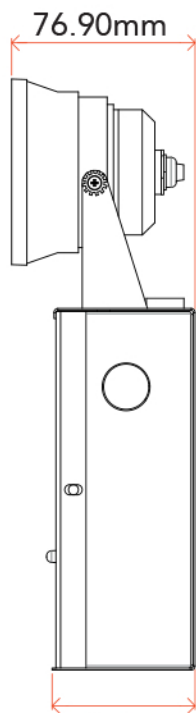
Website : www.pnesys.com.my



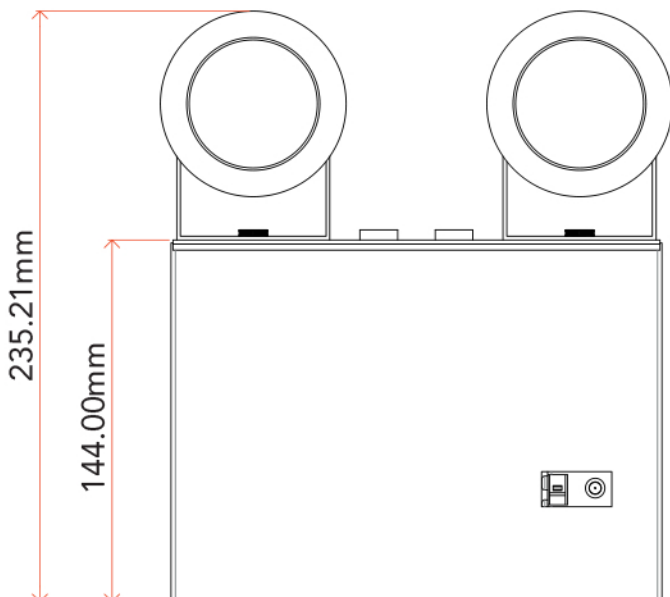
TEL 30 LED (2X3 WATT)



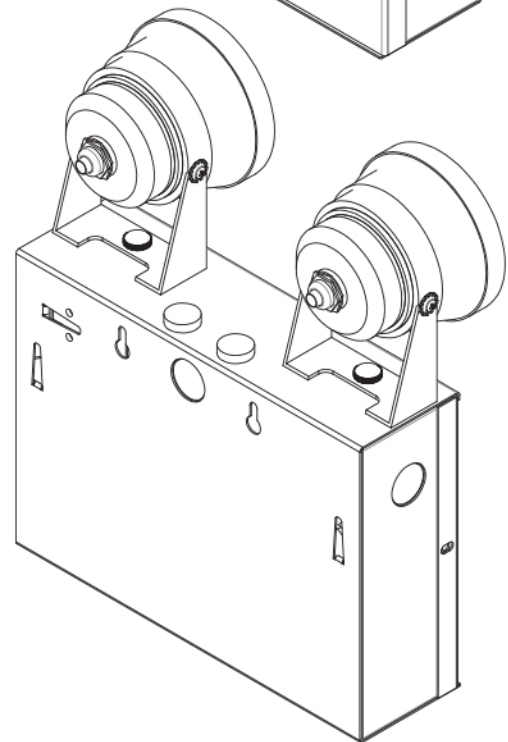
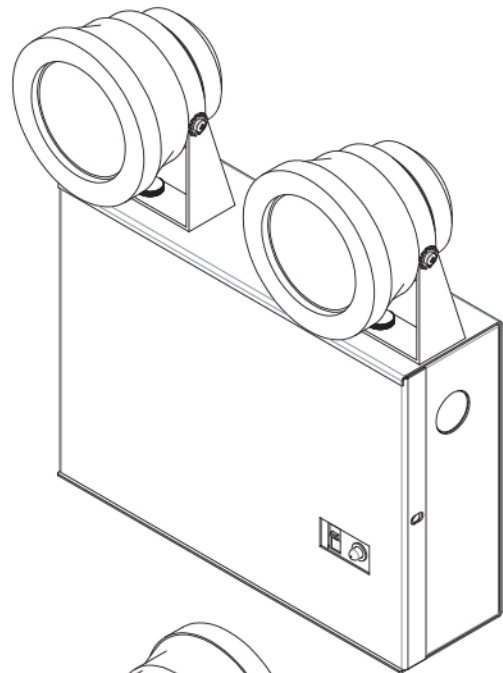
TOP VIEW



SIDE VIEW



FRONT VIEW



ISOMETRIC VIEW

For further enquiries, please contact :-

PNE SYSTEMS SDN. BHD. (263861 D)

No.3, Jalan SS26/13,
Taman Mayang Jaya 47301, Petaling Jaya,
Selangor Darul Ehsan, Malaysia

Tel : 603-78037488 (Hunting)

Fax : 603-78038509

E-mail : sales@pnesys.com.my

Website : www.pnesys.com.my