



Self-Contained Emergency Luminaire

(Super bright LED)

PEL-18LED (Surface mount)

PEL-28R-LED (Recess mount)

PEL-18 LED

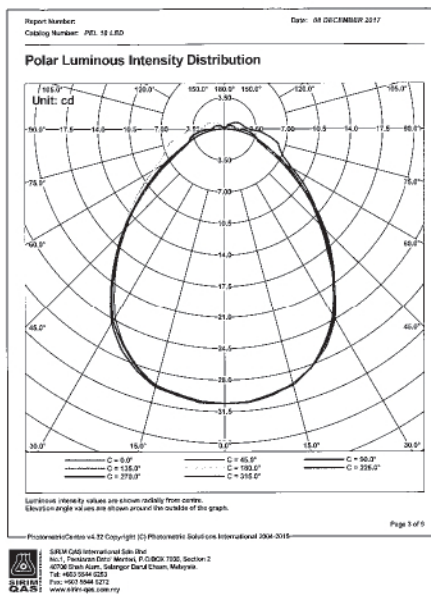
PEL-28R-LED



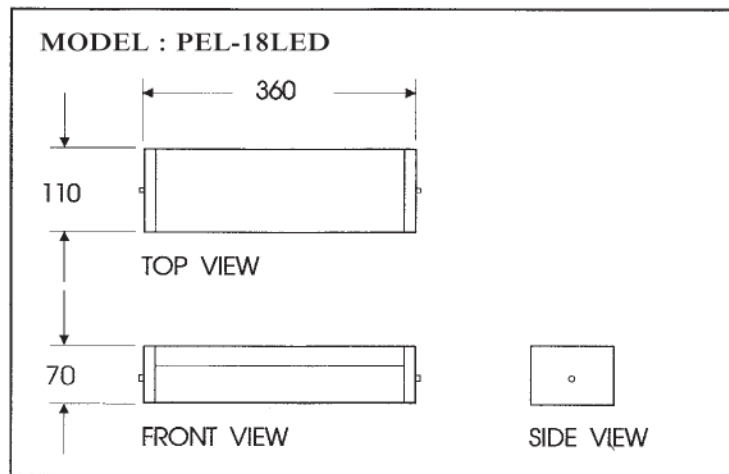
Specifications

MODEL	➔ PEL-18 LED / PEL-28R-LED.
MODE	➔ Non-maintained.
WEIGHT.....	➔ 0.98 kg (PEL-18LED) / 1.6 kg (PEL-28R-LED).
BATTERY.....	➔ 3.6V 1.0AH Ni-cad.
HOUSING	➔ EG steel with powder coated paint, acrylic diffuser.
CHARGER.....	➔ Constant current.
MOUNTING	➔ Surface or Recess mounted on ceiling.
DIMENSION.....	➔ 360 L x 110 W x 70 H (mm) PEL-18LED. 410 L x 165 W x 100 H (mm) PEL-28R-LED.
MONITORING.....	➔ Red LED “ ON ” indicates charging. Equipped with push test switch to simulate power failure.
COMPLIANCE	➔ SIRIM MS 619-2-22:2005. MS IEC 60598-1 : 2012. Jabatan Bomba Dan Penyelamat Malaysia certified.
LIGHT SOURCE	➔ 18 pcs super bright LED (SMD).
LAMP WATTAGE	➔ 1.20W.
INPUT VOLTAGE	➔ 240V +/- 10% 50Hz.
RECHARGE PERIOD	➔ 16 - 24 hours.
BACK-UP DURATION	➔ 3 hours.
BATTERY PROTECTION.....	➔ Low voltage cut-off to prevent over discharging.
INGRESS OF PROTECTION	➔ IP-20.
OPERATING TEMPERATURE.....	➔ 0 °C to 65 °C.
LUMEN	➔ 99.13 lm
INPUT POWER	➔ ~2.8W
C.C.T	➔ 1294 l
C.R.I	➔ 80

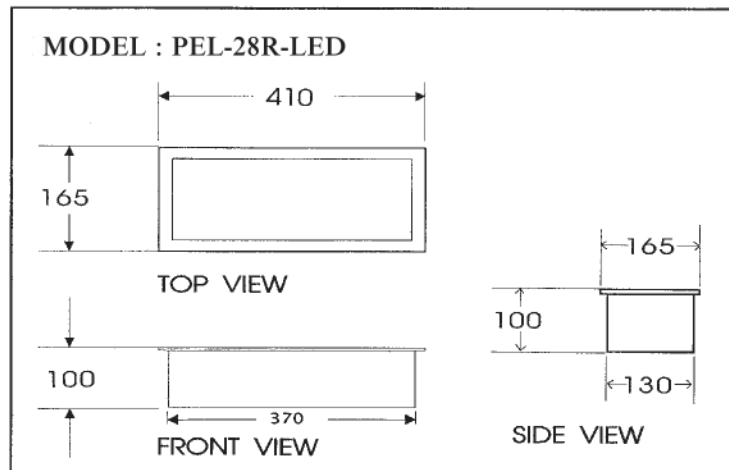
For further enquiries, please contact :-
PNE SYSTEMS SDN. BHD.(263861 D)
 No.3, Jalan SS26/13, Taman Mayang Jaya
 47301, Petaling Jaya, Selangor Darul Ehsan.
 Tel : (6)03-78037488 (Hunting)
 Fax : (6)03-78038509
 E-mail : sales@pnesys.com.my
 Website : www.pnesys.com.my



SURFACE MOUNTING TYPE



RECESSED MOUNTING TYPE



For further enquiries, please contact :-

PNE SYSTEMS SDN. BHD. (263861 D)
 No. 3, Jalan SS 26/13,
 Taman Mayang Jaya, 47301 Petaling Jaya,
 Selangor Darul Ehsan.
 Tel : (6)03-78037488 (Hunting)
 Fax : (6)03-78038509
 E-mail : sales@pnesys.com.my
 Website : www.pnesys.com.my



Note : Due to continuous development and improvement, our company reserves the right to change specification without notice.